

# IC-Series Cooler

Instruction Manual

IC-150/IC-150L

Models: Listed on Inside Cover

IC-150



IC-150L



# IC-Series Cooler Instruction Manual

IC-150/IC-150L

**Includes Models:**  
IC-150  
IC-150-0-2-3-5-B-1  
IC-150-L  
IC-150-L-2-3-5-B-1  
IC-150-LB-2-3-5-B-1

## Table of Contents

Parts & Identification List..... 4

Safety Instructions..... 5

Installation..... 6

    Ambient Environment..... 6

    Preparation Prior to Operation ..... 6

    Electrical Requirements ..... 6

Flammable Refrigerant Warnings ..... 7

Shelving Installation ..... 7

Specifications ..... 7

Maintenance ..... 8

    Condenser ..... 8

    Cleaning..... 8

    Accessing Cooler Components..... 9

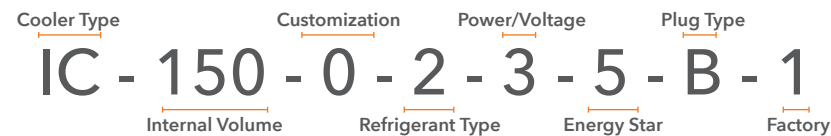
    Moving Cooler ..... 9

    Drip Pan ..... 9

Troubleshooting..... 10

Circuit Diagrams ..... 11-12

### Model Numbering Schematic:



### For Future Reference

- This easy-to-use manual will guide you in getting the best use of your Cooler.
- Remember to record the model number and the serial number. This information can be found on the inside of your Cooler.
- Keep your receipt with this manual for future warranty service.

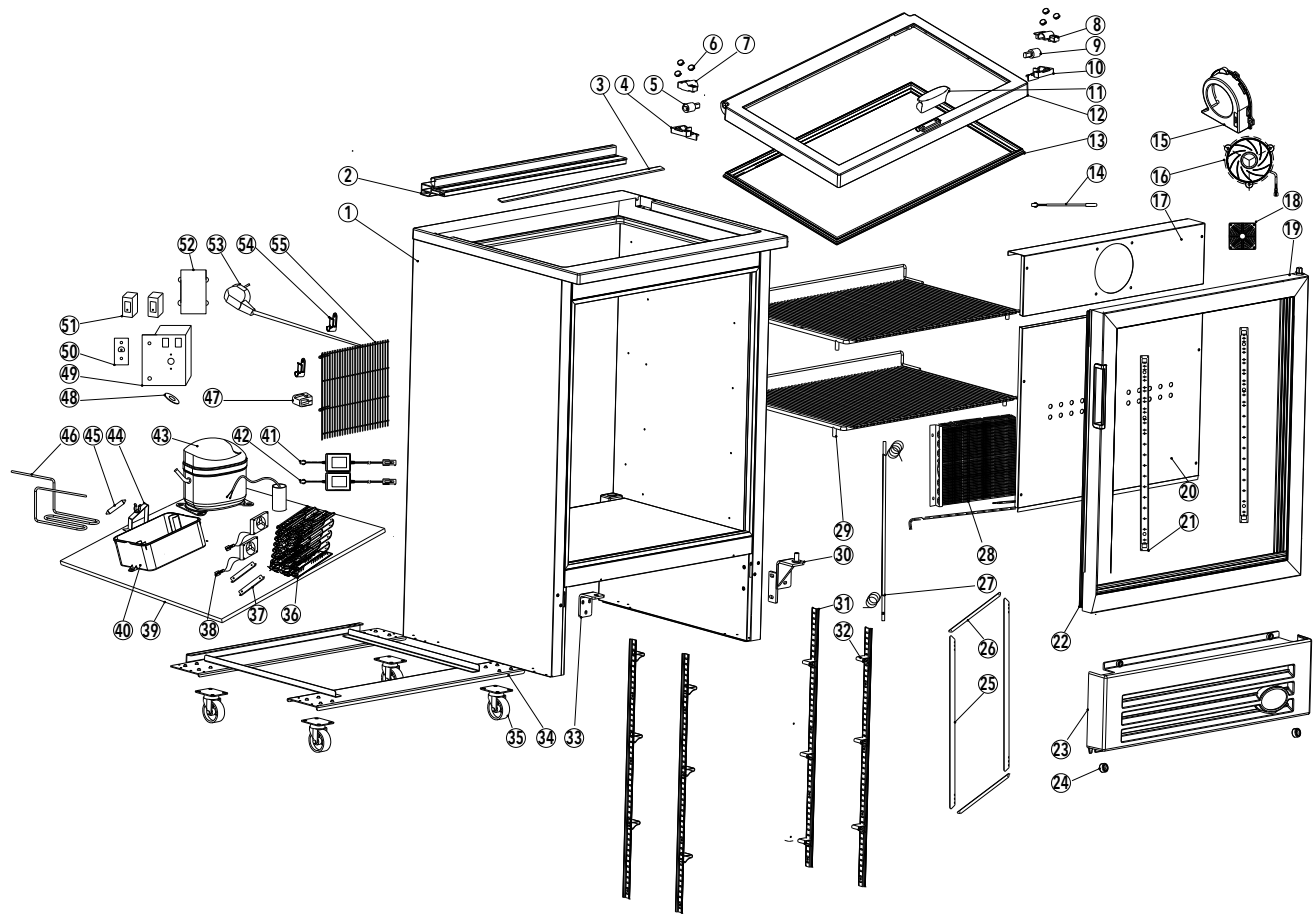
Model #: \_\_\_\_\_

Serial #: \_\_\_\_\_

Date of Purchase: \_\_\_\_\_



**PARTS & IDENTIFICATION**



- |                                 |                               |                              |
|---------------------------------|-------------------------------|------------------------------|
| 1. Cabinet                      | 20. Evaporator Baffle         | 38. Condenser Fan (2)        |
| 2. Mullion                      | 21. Door Side LED Light (2)   | 39. Compressor Base Plate    |
| 3. Mullion Rib                  | 22. Front Door Gasket         | 40. Water Tray               |
| 4. Damper Base (Left)           | 23. Front Grill               | 41. Switch Power 1           |
| 5. Damper (Left)                | 24. Front Grill Bracket (2)   | 42. Switch Power 2           |
| 6. Hinge Cover Blanking Cap (6) | 25. Side Lamp Cover (2)       | 43. Compressor               |
| 7. Damper Box Left              | 26. Black Lamp Cover (2)      | 44. Filter Bracket Assembly  |
| 8. Damper Box Right             | 27. Suction Tube Group        | 45. Filter                   |
| 9. Damper (Right)               | 28. Evaporator                | 46. Connection Pipe          |
| 10. Damper Base (Right)         | 29. Shelf (2)                 | 47. Power Cord Clip          |
| 11. Handle                      | 30. Bottom Hinge              | 48. Thermostat Label         |
| 12. Top Door Frame              | 31. Pilasters (4)             | 49. Thermostat Box           |
| 13. Top Door Gasket             | 32. Shelf Clips (12)          | 50. Thermostat Control Panel |
| 14. Thermostat                  | 33. Middle Hinge              | 51. Light Switch (2)         |
| 15. Evaporator Fan Cover        | 34. Base Bracket Assembly     | 52. Thermostat Box Cover     |
| 16. Evaporator Fan              | 35. Casters (2) w/ Brake (2)  | 53. Power Cord               |
| 17. Fan Baffle                  | 36. Condenser                 | 54. Power Cord Holder (2)    |
| 18. Evaporator Fan Shroud       | 37. Condenser Fan Bracket (2) | 55. Rear Grill               |

**SAFETY INSTRUCTIONS**

- When using this appliance, always follow the basic safety precautions:
- Read the entire Instruction Manual before operating this appliance.
- Use this Cooler only for its intended purpose as described in this Instruction Manual.
- This Cooler must be properly installed in accordance with the installation instructions before being used. See grounding instructions.
- IDW requires that a dedicated circuit be used for the unit. Failure to do so voids warranty.
- Never unplug your Cooler by pulling on the power cord. Always grasp the plug firmly and pull it straight out from the outlet.
- Unplug your Cooler before cleaning or making any repairs.  
Note: If for any reason this product requires service, we strongly recommend that a certified technician perform the service.
- When disconnecting the power source, wait at least 5 minutes to reconnect the power to avoid damage to the compressor and the cooling system.
- Immediately repair or replace all electrical cords that have become frayed or otherwise damaged. Do not use a cord that shows cracks or abrasion damage along its length, the plug or the connector end.
- Do not operate or store your Cooler near or around explosive fumes, gasoline or other flammable vapors and liquids.
- Do not use flammable liquids to clean Cooler.
- Setting the temperature control to the 0 position does not remove power to the light circuit, perimeter heaters, or evaporator fans.
- Do not adjust the temperature control. The temperature control is factory set between levels 4 and 5 for maximum performance.

**PLEASE SAVE THESE INSTRUCTIONS!**

**DANGER!**

**PROPER DISPOSAL OF THE REFRIGERATOR**

**Precaution, Non-Operating Coolers Should Have:**

- Lid removed.
- Baskets kept in place in order to prevent any small child from climbing inside Cooler.

**For Proper Disposal of Cooler:**

Distributors/retailers need to contact a qualified service technician:

- To recover all refrigerant from the Cooler
- To remove the compressor or remove the oil from the compressor

Then the distributor/retailer can contact their local metal recycling center to pick up the remaining cabinet, shelves, etc. By law, disposal of hazardous wastes may be subject to fines and imprisonment under the provisions of the environmental regulations. For more information please visit: <http://www.epa.gov/osw/hazard/index.htm>



**INSTALLATION**

Installation of the Cooler must be done according to applicable local codes or equivalent.

**Ambient Environment**

- Place Cooler on an even surface to reduce vibration and noise.
- To transport, do not tilt the Cooler beyond a 45 degree angle.
- Do not place Cooler in direct sunlight or near any heat sources.
- Do not place Cooler in environment temperatures that exceed 80°F.
- Do not place Cooler in below normal temperatures.
- Do not place Cooler in extreme humid environments, this may cause components to rust.
- Do not place Cooler near constant running or splattering water, this may cause immediate damage to refrigeration system.
- Must allow at least 4" between rear of Cooler and wall for proper ventilation and heat dissipation of Cooler.
- Do not place furniture or other articles with sharp edges near the Cooler in order to prevent damage to the glass door.
- This Cooler is for indoor use only.
- Place Cooler in it's final location, making certain there is adequate ventilation in the room.

**WARNING:** Warranty is void if ventilation is insufficient.

**Preparation Prior to Operation**

- Remove all packaging materials before using Cooler. This includes: foam pedestal, adhesive tape (used to fix accessories) and protective gaskets.
- Inspect Cooler for concealed damage. Immediately file a claim with the freight carrier if there is damage. IDW is not responsible for damage incurred during shipping.
- Cooler must remain unplugged in an upright position for 1 hour prior to use.
- Clean the interior surface with a soft cloth and lukewarm water before operation.
- Ensure that drain hose or hoses are positioned in the drain pan.
- Remove plug and cord from inside the lower rear of the Cooler.
- The Cooler should be placed close enough to the electrical supply so that extension cords are not used.

**Electrical Requirements**

- This model operates with a 110-120V/60Hz power supply. Check the electrical outlet for proper voltage.
- Dedicate one outlet for the use of the Cooler.
- Do not use an extension cord or any other multiple connectors as this can lead to compressor failure.
- If the cord is damaged, it must be replaced.
- For your safety, plug the unit into a grounded wall outlet. Please check with a certified electrician for details.

**WARNING:** Do not use extension cords.  
**WARNING:** Compressor warranties are void if compressor burns out due to low voltage.  
**WARNING:** Power cord ground pin must NOT be removed!



**CAUTION FLAMMABLE REFRIGERANT**

- **DANGER - Risk Of Fire Or Explosion.** Flammable Refrigerant Used. To Be Repaired Only By Trained Service Personnel. Do Not Puncture Refrigerant Tubing.
- **CAUTION - Risk Of Fire Or Explosion.** Flammable Refrigerant Used. Consult Instruction Manual/Owner's Guide Before Attempting To Install or Service This Product. All Safety Precautions Must be Followed.
- **CAUTION - Risk Of Fire Or Explosion.** Dispose Of Properly In Accordance With Federal Or Local Regulations. Flammable Refrigerant Used.
- **CAUTION - Risk Of Fire Or Explosion Due To Puncture Of Refrigerant Tubing;** Follow Handling Instructions Carefully. Flammable Refrigerant Used.
- **CAREFUL** - Handling, moving and operating of the Cooler or Refrigeration Unit to avoid either damaging the refrigerant tubing, or increasing the risk of a leak.
- **CAUTION** - Component parts shall be replaced with like components and that servicing shall be done by factory authorized service personnel, so as to minimize the risk of possible ignition due to incorrect parts or improper service.

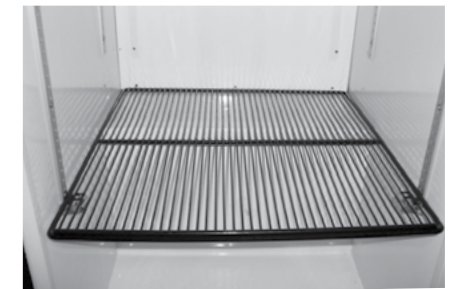
**SHELVING INSTALLATION**



Shelves are secured in place with zip ties. Cut zip ties to adjust shelves as desired.



Securely insert shelf clips into pilasters.



Shelf clips should be level so shelf lays flat.

**(Maximum load per shelf is 105 lbs/ 48 kg)**

*Display refrigerators can be loaded within the shelf dimensions from the front to back side. They can also be loaded in any space from the bottom to the top interior cabinet. Do not allow product to block the evaporator fan cover because the evaporator fan helps the cooler to ventilate properly.*

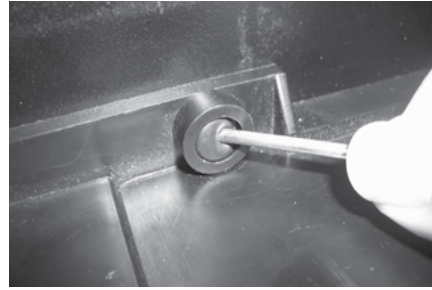
**SPECIFICATIONS**

MODEL	VOLUME(L)	RATED VOLTAGE	RATED CURRENT	LAMP INPUT POWER	REFRIGERANT
IC-150-0235B-1	5.686cu.ft.	110-120V/60Hz	1.4 A	4 W	R600a/46g
IC-150-L235B-1			1.8 A	8 W	
IC-150-LB235B-1					
<b>NSF/ASNI-7: Type II Display Refrigerator</b>		A Display Cooler intended for use in an area where the environmental conditions are controlled and maintained so that the ambient temperature does not exceed 80°F (27°C) and environment ≤65% RH (Relative Humidity).			

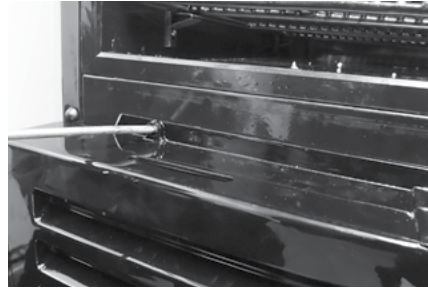
**MAINTENANCE**

**Condenser**

It is essential to keep the condenser coils clean and free of dust and debris at all times. Periodically clean the condenser coils with a soft bristle brush or vacuum-cleaner to properly maintain the refrigeration system. Failure to clean the condenser at regular intervals may cause failure of the refrigeration system and could void the warranty. Prior to any maintenance, be sure to unplug the Cooler.



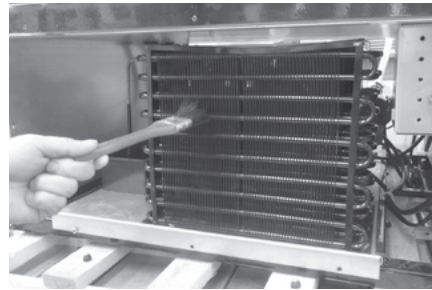
**1** Remove the rubber cap from the front grill.



**2** Use a Phillips head screwdriver and remove the screws as shown.



**3** The front grill can now be removed by pulling it up.



**4** Using plastic bristle brush, carefully clean the condenser being aware that coils can bend or be damaged if too much force is used.

**5** Replace grill and use the Phillips screwdriver to tighten the screws into place, replace the rubber caps.

**Cleaning**

- Unplug the Cooler before cleaning.
- Use a soft cloth or sponge with soap and water (non-corrosive mild detergent), while cleaning. After cleaning, wipe the Cooler using a dry cloth to prevent the Cooler from rusting.
- Do not spray water on the Cooler, and do not use hard or steel brushes to clean the Cooler.
- Do not use organic solvents, boiling water, scrubbing powders or acids while cleaning.
- A drain or waste outlet **may** be provided for draining of a display Cooler. **If** a display Cooler drain is provided for flushing, it will have a minimum internal diameter of 1" (25mm)

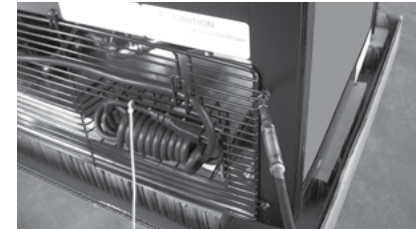
If the Cooler will be in a non-operational state for a long period of time, clean as instructed above, and keep the door open until interior is dry.



**MAINTENANCE Accessing Cooler Components:**

**\* A CERTIFIED TECHNICIAN IS REQUIRED TO REPAIR ALL REFRIGERATION COMPONENTS FOR WARRANTY PURPOSES.**

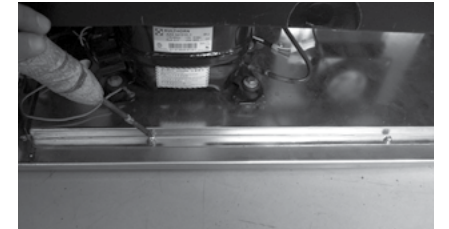
For convenient repair, the refrigeration components (compressor, evaporator, condenser, evaporation fan, condensation fan and filter) are designed using a split system; any component can be easily replaced. Replacement procedure is as follows:



**1.** Using a Phillips screwdriver, remove the (4) screws from the back grill as shown.



**2.** The back metal grill can now be removed.



**3.** Remove the (2) screws in the front.



**4.** Pull the drawer forward to access the system.



**5.** To re-assemble the cooler reverse steps 1-5.

**Moving the Cooler**

1. Remove all product from the unit.
2. Secure all loose parts inside the cooler.
3. Tape the door shut.
4. Be sure to ship the cooler in an upright position.

**Drip Pan**

1. During normal compressor cycle, water will drain into the drip pan and evaporate.



**TROUBLESHOOTING**

The following are NOT malfunctions:

Situation	Causes
Liquid flowing noise within Cooler	<ul style="list-style-type: none"> <li>This is the sound of the cooling agent flowing through the pipes.</li> </ul>
Refrigeration system is shutdown for longer periods of time while temperature inside is still very low	<ul style="list-style-type: none"> <li>This Cooler is well insulated and can maintain a relatively ambient temperature.</li> </ul>
Condensation on door/lid	<ul style="list-style-type: none"> <li>This may be due to a high indoor humidity or the Cooler's temperature is set too low. Wipe the door dry with a towel.</li> </ul>

- 1 This Cooler has been designed and manufactured according to National standards. If there are any questions during use, refer to this operation manual to help troubleshoot problems.
- 2 When disposing of the Cooler, please remove the door/lid and lock assembly to avoid children accidentally becoming trapped inside the Cooler.

Prior to calling service, check the following:

Issues	Solutions
Cooler behaving abnormally or no longer cooling	Unplug the Cooler from the outlet and contact a trained service technician for repair: <ul style="list-style-type: none"> <li>Abnormal behavior includes Cooler tripping the circuit breakers or blown fuse.</li> <li>Cooler not cooling to the set temperature as it should.</li> <li>If you can detect a chard smoky burning plastic rubber type of a smell.</li> <li>A noticeable increase in product temperature.</li> </ul>
Cooler is not working properly	Please check power supply: <ul style="list-style-type: none"> <li>Check the electrical outlet for power, and that the plug is properly inserted.</li> <li>Check to see if the circuit breaker is tripped or the fuse is blown.</li> <li>Check if the condenser is free of dirt and debris.</li> <li>Check for low voltage</li> </ul>
Cooler is not keeping product cool	<ul style="list-style-type: none"> <li>Provide ample space between all products to ensure proper circulation of air.</li> <li>Keep Cooler away from direct sunlight or other heating source.</li> <li>Keep the door closed as often as possible.</li> <li>Be certain the Cooler is not touching external objects or walls.</li> </ul>
Excessive noise	<ul style="list-style-type: none"> <li>Be certain the Cooler is placed on a level surface.</li> <li>Be certain the Cooler is not touching external objects or walls.</li> </ul>
Compressor turns on and off frequently	<ul style="list-style-type: none"> <li>The room temperature is higher than normal.</li> <li>The door is not closed completely.</li> <li>The door gasket is not sealed properly.</li> <li>There is insufficient clearance around the Cooler.</li> <li>The thermostat is not set properly.</li> <li>The frequency of cycling will be reduced when all of the product reaches the set temperature.</li> </ul>

**AFTER SALES SERVICE**

Any product has the possibility of malfunction. Please observe the Cooler's operation and any changes to product being stored. If there are any abnormal cases, refer to the table below. If there is still no change after following the below instructions, please inform our service center in a timely manner to avoid a further loss of the Cooler.

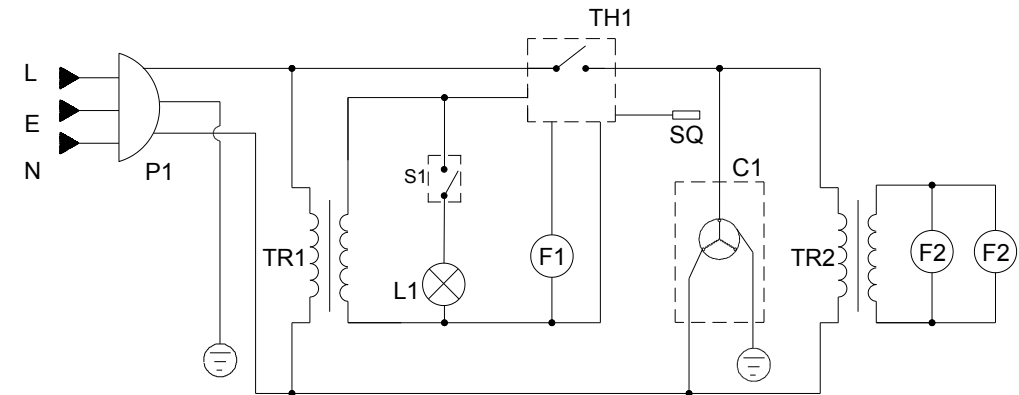
**Information to provide to your qualified service professional:**

- Serial number from the interior wall of the Cooler
- Coolers' installation address and contact information
- Installation location hours of operation
- Nature of problem
- Any reports of power interruptions
- Recent service or maintenance completed on the Cooler
- Has the Cooler been relocated from original installation location
- Clear access to the Cooler
- Coolers' instruction manual



**CIRCUIT DIAGRAM**

Model: IC-150-0235B-1

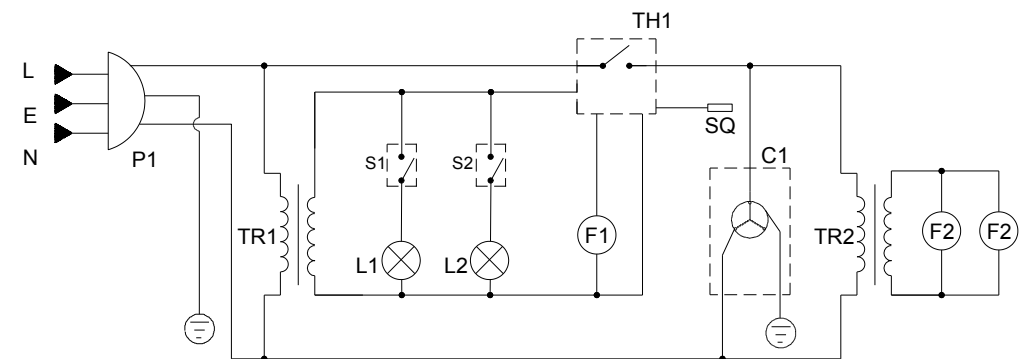


- P1: POWER PLUG
- TH1: THERMOSTAT
- TR1,TR2: POWER ADAPTOR
- L1: FRONT DOOR SIDE LIGHT
- C1: COMPRESSOR
- SQ: TEMPERATURE PROBE
- S1: LIGHT SWITCH
- F1: EVAPORATOR FAN
- F2: CONDENSER FAN

**CIRCUIT DIAGRAM**

Model: IC-150-L235B-1, IC-150-LB235B-1

IC-150L (w/ Front Door Logo)

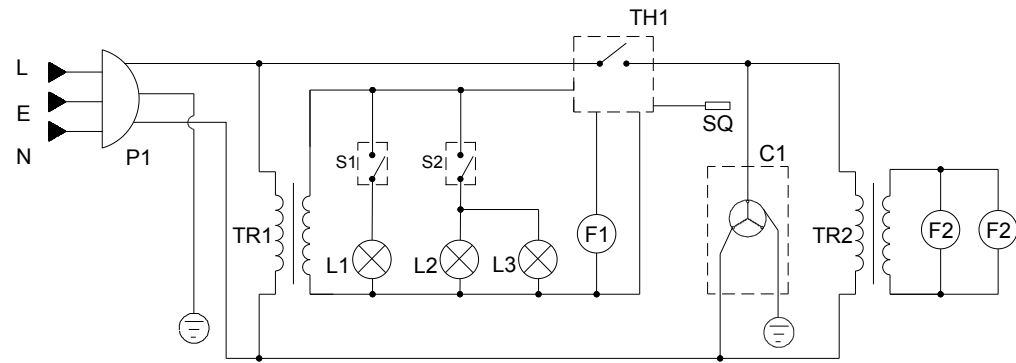


- P1: POWER PLUG
- TH1: THERMOSTAT
- TR1,TR2: POWER ADAPTOR
- L1: FRONT DOOR SIDE LIGHT
- L2: FRONT DOOR LOGO LIGHT
- C1: COMPRESSOR
- SQ: TEMPERATURE PROBE
- S1: SWITCH OF DOOR SIDE LIGHT
- S2: SWITCH OF LOGO LIGHT
- F1: EVAPORATOR FAN
- F2: CONDENSER FAN

**CIRCUIT DIAGRAM**

Model: IC-150-L235B-1, IC-150-LB235B-1

**IC-150L (w/ Front Door & Lid Logos)**



- |          |                       |     |                           |
|----------|-----------------------|-----|---------------------------|
| P1:      | POWER PLUG            | SQ: | TEMPERATURE PROBE         |
| TH1:     | THERMOSTAT            | S1: | SWITCH OF DOOR SIDE LIGHT |
| TR1,TR2: | POWER ADAPTOR         | S2: | SWITCH OF LOGO LIGHT      |
| L1:      | FRONT DOOR SIDE LIGHT | F1: | EVAPORATOR FAN            |
| L2:      | FRONT DOOR LOGO LIGHT | F2: | CONDENSER FAN             |
| L3:      | TOP LID LOGO LIGHT    | C1: | COMPRESSOR                |



***Innovative DisplayWorks, Inc.***  
*8825 Boston Place, Rancho Cucamonga CA 91730*