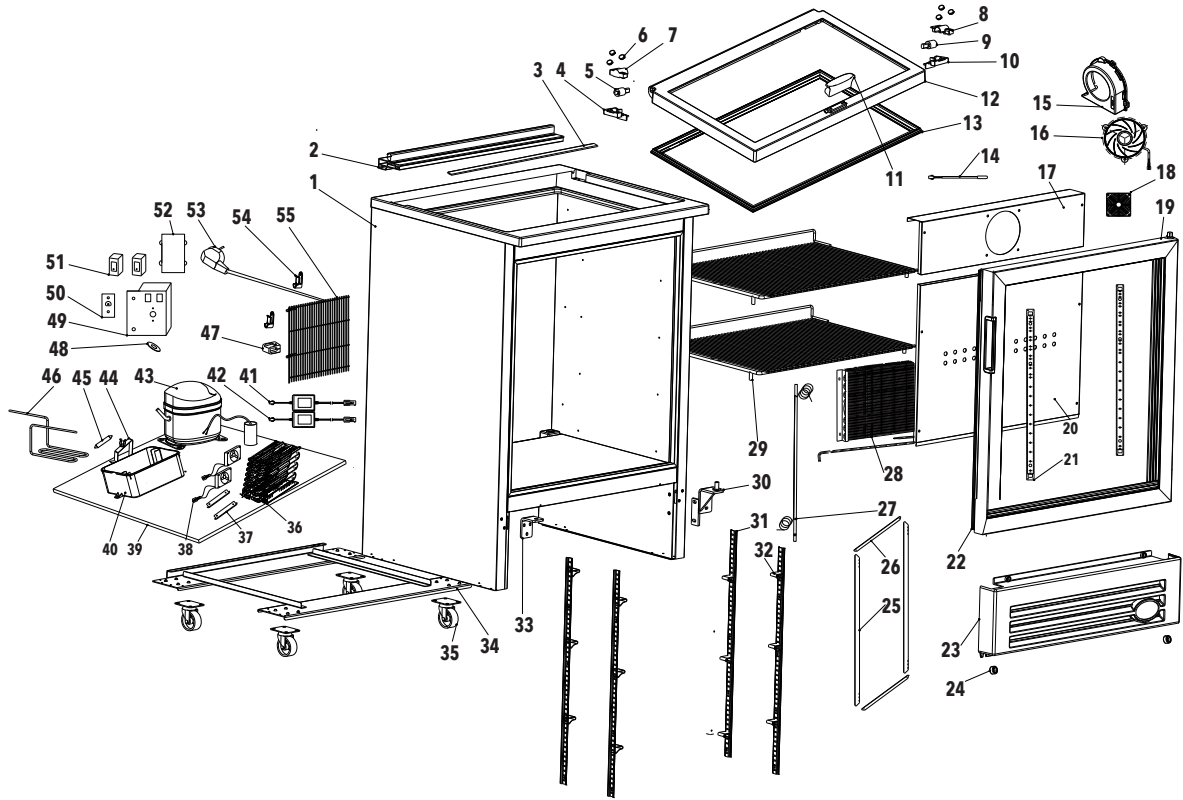


PARTS & IDENTIFICATION



- | | | |
|---------------------------------|-------------------------------------|------------------------------|
| 1. Cabinet | 20. Evaporator Baffle | 39. Compressor Base Plate |
| 2. Mullion | 21. Door Side LED Light (2) | 40. Drip Pan |
| 3. Mullion Rib | 22. Front Door Gasket | 41. Switch 1 |
| 4. Damper Base (Left) | 23. Front Grill | 42. Switch 2 |
| 5. Damper (Left) | 24. Front Grill Bracket (2) | 43. Compressor |
| 6. Hinge Cover Blanking Cap (6) | 25. Side Lamp Cover (2) | 44. Filter Bracket |
| 7. Damping Box Left | 26. Black Lamp Cover (2) | 45. Filter |
| 8. Damping Box Right | 27. Suction Tube Part and Capillary | 46. Connection Pipe |
| 9. Damper (Right) | 28. Evaporator | 47. Power Cord Clip |
| 10. Damping Base (Right) | 29. Shelf (2) | 48. Thermostat Label |
| 11. Handle | 30. Bottom Hinge | 49. Thermostat Box |
| 12. Top Door Frame | 31. Pilaster (4) | 50. Thermostat Control Panel |
| 13. Top Door Gasket | 32. Shelf Clips (12) | 51. Light Switch (2) |
| 14. Thermostat | 33. Middle Hinge | 52. Thermostat Box Cover |
| 15. Evaporator Fan Cover | 34. Base Bracket | 53. Power Cord |
| 16. Evaporator Fan | 35. Caster (2) w/ Brake (2) | 54. Power Cord Holder (2) |
| 17. Fan Baffle | 36. Condenser | 55. Rear Grill |
| 18. Evaporator Fan Shroud | 37. Condenser Fan Bracket (2) | |
| 19. Front Glass Door | 38. Condenser Fan (2) | |