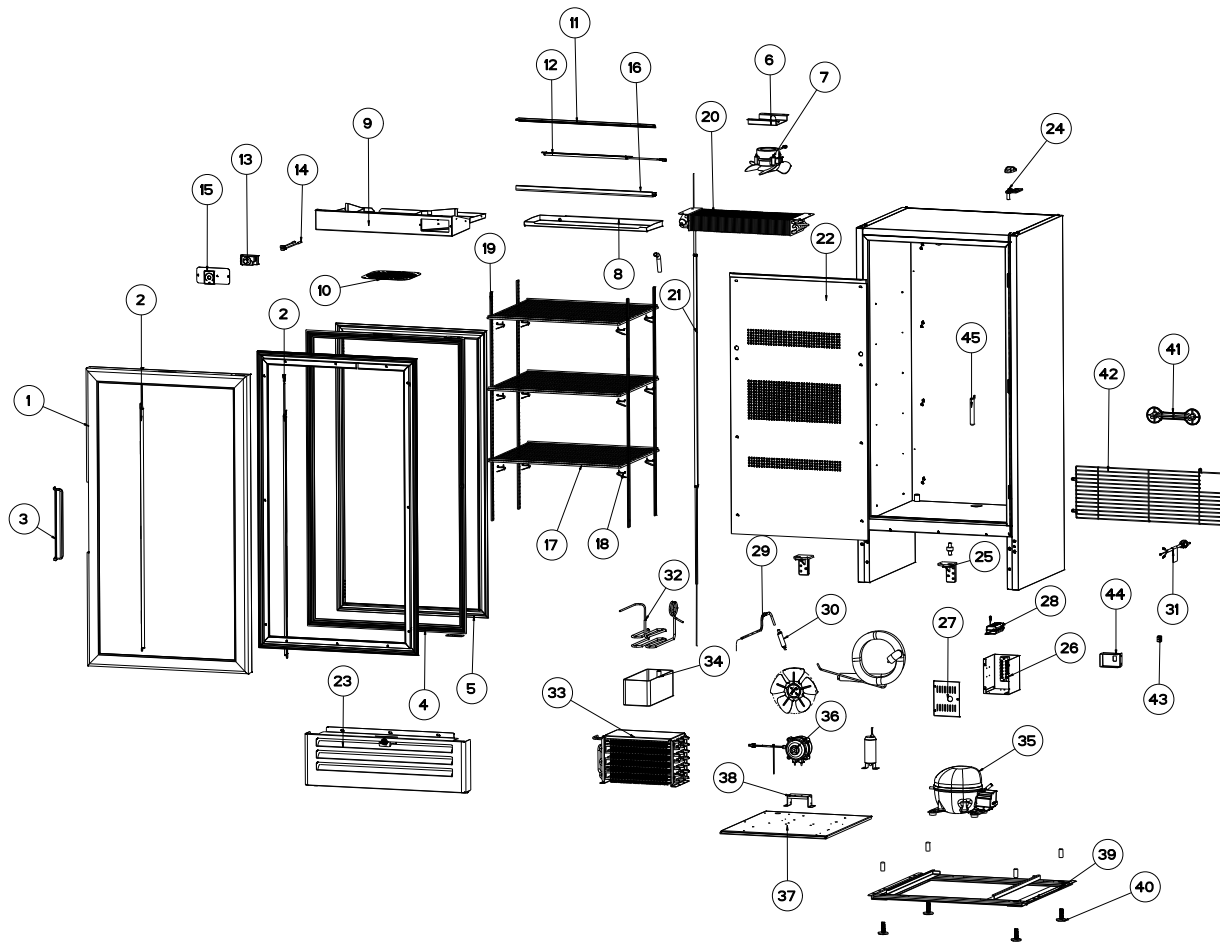


PARTS & IDENTIFICATION



- | | | |
|----------------------------|--------------------------------------|-----------------------------------|
| 1. Glass Door | 16. LED Light Cover | 31. Power Cord |
| 2. LED Light in Glass Door | 17. Shelf (3) | 32. Connecting Tube for Condenser |
| 3. Door Handle | 18. Shelf Clips (12) | 33. Condenser |
| 4. LED Light Cover (4) | 19. Pilaster (4) | 34. Drain Pan |
| 5. Door Gasket | 20. Evaporator | 35. Compressor |
| 6. Fan Support | 21. Return Pipe | 36. Condenser Fan |
| 7. Evaporator Fan | 22. Return Pipe Cover | 37. Upper Baseboard |
| 8. Drip Pan | 23. Grill | 38. Fan Support |
| 9. Control Panel | 24. Top Hinge | 39. Lower Baseboard |
| 10. Fan Guard | 25. Lower Hinge | 40. Leveling Legs (4) |
| 11. Lamp Stand | 26. Electric Box | 41. Cord Wrap |
| 12. LED Light | 27. Electric Box Cover | 42. Compressor Guard |
| 13. Thermostat | 28. Transformer for LED Light | 43. Light Switch |
| 14. Sensor | 29. Connecting Tube for Filter Dryer | 44. Bracket for Light Switch |
| 15. Thermostat Panel | 30. Filter Dryer | 45. Thermometer |