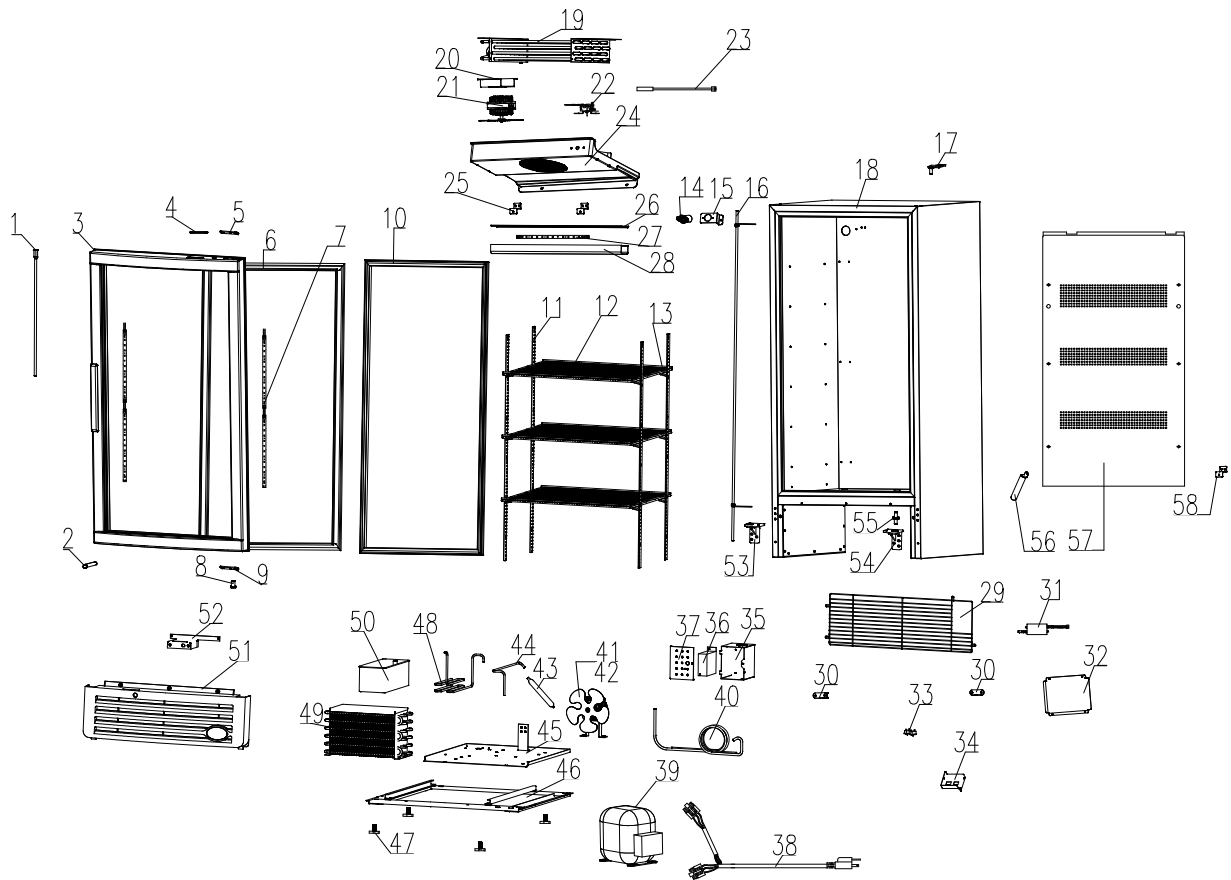




G-10f & GCG-10f

PARTS & IDENTIFICATION



- | | | | |
|-----------------------------|---------------------------|--------------------------------------|--------------------------------------|
| 1. Auto Closing Sleeve | 17. Top Hinge | 33. Light Switch (2) | 49. Condenser |
| 2. Door Lock | 18. Foam Cabinet | 34. Bracket for Light Switch | 50. Drain Pan |
| 3. Glass Door | 19. Evaporator | 35. Electric Box | 51. Front Grill |
| 4. Door Inserts | 20. Fan Baseboard | 36. Switching Power Supply | 52. Reinforced Steel for Front Grill |
| 5. Top Door Limit | 21. Evaporator Fan | 37. Electric Box Cover | 53. Left Bottom Hinge |
| 6. LED Light Cover | 22. Thermostat | 38. Power Cord | 54. Right Bottom Hinge |
| 7. LED Light in Glass Door | 23. Sensor | 39. Compressor | 55. Bottom Hinge Axle |
| 8. Bottom Hinge Axle Sleeve | 24. Control Panel | 40. Connecting Tube for Return Pipe | 56. Thermometer |
| 9. Bottom Door Limit | 25. Control Panel Bracket | 41. Condenser Fan | 57. Plenum |
| 10. Door Gasket | 26. Top Lamp Stand | 42. Fan Support | 58. Plenum Frame (6) |
| 11. Pilaster (4) | 27. LED Light | 43. Filter Dryer | |
| 12. Shelf (4/5) | 28. LED Light Cover | 44. Connecting Tube for Filter Dryer | |
| 13. Shelf Clip (16/20) | 29. Compressor Guard | 45. Upper Compressor Baseboard | |
| 14. Drain Pipe | 30. Bumper Block | 46. Lower Baseboard | |
| 15. Connecting Tube Plate | 31. LED Controller | 47. Leveling Leg (4) | |
| 16. Return Pipe | 32. Power Supply Cover | 48. Connecting Tube for Condenser | |

