

G-Series Cooler

Instruction Manual

TE Cooler

Models: Listed on Inside Cover



G-Series Cooler Instruction Manual

Models Included:

B61N*

N61N*

(* = G, 7, I, M or J plug)

Table of Contents

Safety Instructions & Precautions 4

Ambient Environment 5

Circuit Diagram 5

For Future Reference

- This easy-to-use manual will guide you in getting the best use of your cooler.
- Remember to record the model number and the serial number. This information can be found on the inside of your cooler.
- Keep your receipt with this manual for future warranty service.

Model #: _____

Serial #: _____

Date of Purchase: _____



SAFETY INSTRUCTIONS

1. When using this appliance, always follow the basic safety precautions:
2. **DO NOT** use the appliance outside. For indoor use only
3. **DO NOT** use jet/pressure washers to clean this appliance.
4. **DO NOT** allow children to play with the packaging, and destroy plastic bags safely.
5. Always switch off and disconnect the power supply to the unit before cleaning.
6. If the power cord is damaged, it must be replaced by the manufacturer, a service agent or similarly qualified persons in order to avoid a hazard.
7. This appliance is not intended for use by persons (including children) with reduced physical, sensory or mental capabilities, or lack of experience and knowledge, unless they have been given supervision or instruction concerning use of the appliance by a person responsible for their safety.
8. Children should be supervised to ensure that they do not play with this appliance.
9. This appliance can be used by children age 8 years and above; and persons with reduced physical, sensory or mental capabilities or lack of experience and knowledge if they have been given supervision or instruction concerning use of the appliance in a safe way and understand the hazards involved. Children shall not play with the appliance. Cleaning and user maintenance shall not be preformed by children without supervision.
10. The appliances are not intended to be operated by means of an external timer or separate remote-control system.
11. Keep the appliance and its cord out of reach of children less than 8 years of age.
12. Do not store explosive substances such as aerosol cans with a flammable propellant in this appliance.
13. The appliance is only to be used with the power supply unit provided with the appliance.
 - staff kitchen areas in shops, offices and other working environments;
 - farm houses and by clients in hotels, motels and other residential type environments;
 - bed and breakfast type environments;
 - catering and similar non-retail applications.
14. This appliance is intended to be used in household and similar applications such as

PLEASE SAVE THESE INSTRUCTIONS!

DANGER!

PROPER DISPOSAL OF THE REFRIGERATOR

Pre-Caution, Non-Operating Coolers Should Have:

1. Door removed.
2. Shelves kept in place in order to prevent any small child from climbing inside cooler.

Then the distributor/retailer can contact their local metal recycling center to pick up the remaining cabinet, shelves, etc. By law, disposal of hazardous wastes may be subject to fines and imprisonment under the provisions of the environmental regulations.

WARNING: When positioning the appliance, ensure the supply cord is not trapped or damaged.

WARNING: Do not locate multiple portable socket-outlets or portable power supplies at the rear of the appliance.

Correct Disposal of this product

This marking indicates that this product should not be disposed of with other household waste throughout the EU. To prevent possible harm to the environment or human health due to uncontrolled waste disposal, recycle it responsibly to promote the sustainable reuse of material resources. To return your used device, please use the return and collections system, or contact the retailer where the product was purchased for instructions on disposal.

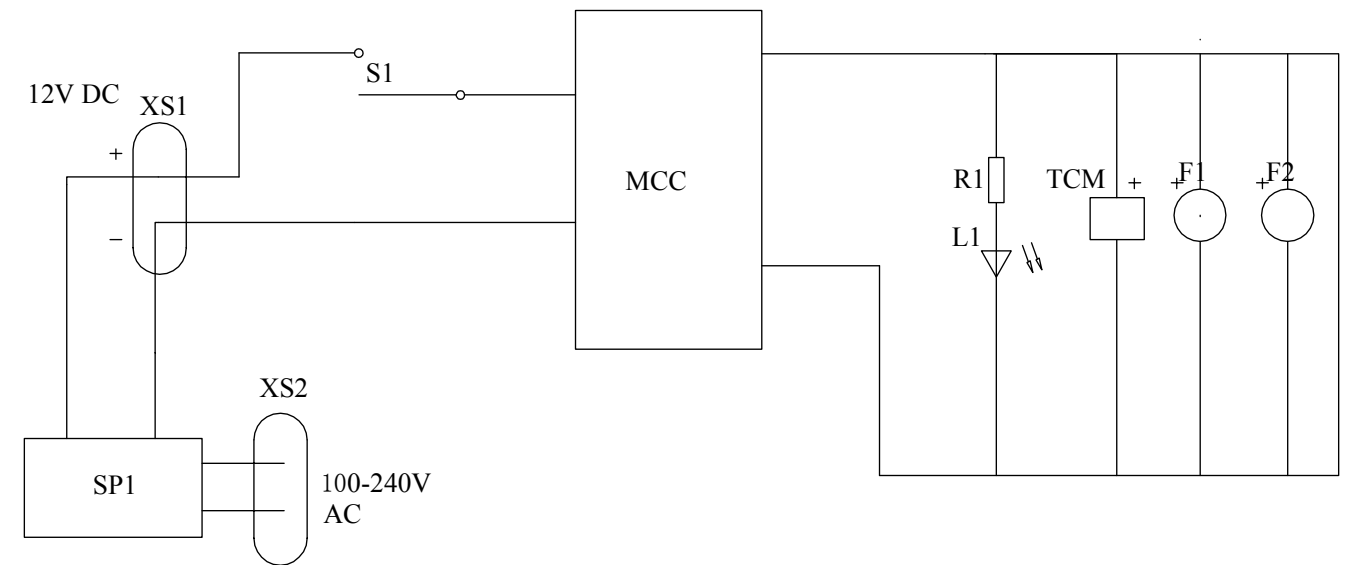


INSTRUCTIONS

Ambient Environment

- Place cooler on an even surface to reduce vibration and noise.
- To transport, do not tilt the cooler beyond a 45 degree angle.
- Do not place cooler in direct sunlight or near any heat sources.
- Do not place cooler in environment temperatures that exceed 109°F.
- Do not place cooler in below normal temperatures.
- Do not place cooler in extreme humid environments, this may cause components to rust.
- Do not place cooler near constant running or splattering water, this may cause immediate damage to refrigeration system.
- Must allow at least 2" between rear of cooler and wall for proper ventilation and heat dissipation of cooler.
- Do not place furniture or other articles with sharp edges near the cooler in order to prevent damage to the glass door.

TE Cooler CIRCUIT DIAGRAM



- | | | | |
|-----|-------------------------------|-----|---------------------------|
| R1 | Resistor | F2 | Fan Motor |
| L1 | LED | XS1 | DC Voltage Outlet |
| S1 | Switch | XS2 | AC Voltage Outlet |
| TCM | Thermoelectric Cooling Module | SP1 | Switching Power Supply |
| F1 | Fan Motor | MCC | Micro-Computer Controller |



Innovative DisplayWorks, Inc.

To locate the distributor in your area go to: <http://www.idw.global/contact/#distributors>