

# G-2.5

## COUNTERTOP COOLER

G-Series Coolers

### FEATURES

- Exterior Dimensions (WDH): 18.25" x 20.25" x 27.75"
- Internal Volume: 2.45 ft<sup>3</sup>
- Dynamic LED Lighting In Door Provides Enhanced Product Illumination While Greatly Reducing Energy Consumption
- Forced Air Refrigeration System For Fast Product Temperature Pull Down
- High Impact Side Panel Graphics
- High Density Environmentally Friendly Insulation
- Utilizes Climate-Friendly Natural Refrigerant
- 1 Adjustable Powder-Coated Metal Shelves
- Double-paned, Low "E", Self-Closing Glass Door
- LED Interior Lighting
- Durable Pre-painted Steel Cabinet and Heavy Duty Inner Liner
- Adjustable Temperature Control
- 9' Heavy Duty Power Cord

### CERTIFICATIONS

#### 110v

- UL471
- NSF/ANSI-7: Type 2 Display Refrigerator
- ENERGY STAR<sup>®</sup> Qualified



## TECH SPECS

Refrigerant	R600a
Amps	.78A
Volts/Hz	110-120V/60Hz
Compressor HP	1/6

## SHIPPING SPECS

Gross Weight	83 lbs
Net Weight	77 lbs
Carton Dims (WDH)	20.25"x22.25"x29.5"
Units per Pallet	12
Shipping Options:	
Floor Loaded	20' ~ 132
40'HQ	~ 276
53'	~ 312

## DIMENSIONS




Exterior: 18.25"W x 20.25"D x 27.75"H

Interior: 15.125"W x 12"D x 23"H

Shelf: 14.25"W x 11.25"D

Internal Volume: 2.45 ft<sup>3</sup>

## PACKOUT CAPACITIES

		Facings	Deep	Total Capacity	Total Rows
	2 Shelves	5	x 4	= 55*	3
	Base	5	x 3		
	2 Shelves	5	x 4	= 55*	3
	Base	5	x 3		
	1 Shelf	5	x 4	= 35**	2
	Base	5	x 3		

\* Additional shelves, beyond what is supplied with the cooler, may be required to achieve this maximum pack-out.  
 \*\* 20oz pack-outs may vary depending on package size.

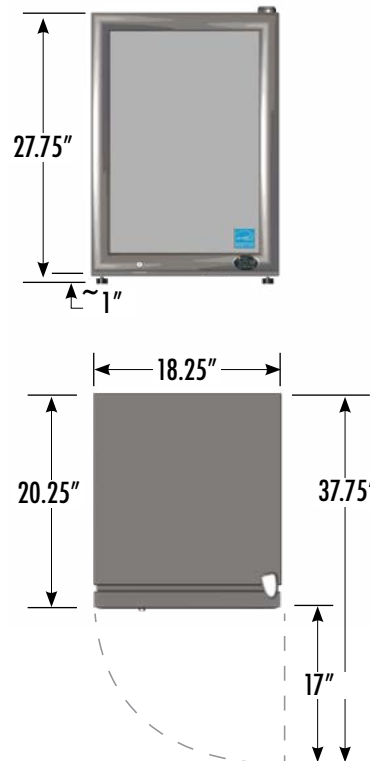
# G-2.5

## COUNTERTOP COOLER

G-Series Coolers



EXTERIOR DIMENSIONS



INTERIOR DIMENSIONS

