

# G1

## COUNTERTOP COOLER

### G-Series Coolers

## FEATURES

- Exterior Dimensions (WDH): 14.125" x 16" x 19.75"
- Internal Volume: 0.83ft<sup>3</sup>
- Dynamic LED Lighting In Door Provides Enhanced Product Illumination While Greatly Reducing Energy Consumption
- Forced Air Evaporator System For Fast Product Temperature Pull Down
- High Impact Side Panel Graphics
- High Density Environmentally Friendly Insulation
- Utilizes Climate-Friendly Natural Refrigerant
- 1 Fixed Powder-Coated Metal Shelf
- Double-Paneled, Low "E", Self-Closing Glass Door
- LED Interior Lighting
- Durable Pre-Painted Steel Cabinet and Heavy Duty Inner Liner
- Adjustable Temperature Control
- 9' Heavy Duty Power Cord



## CERTIFICATIONS

### 110v

- UL471
- NSF/ANSI-7, Type 2 Display Refrigerator
- ENERGY STAR<sup>®</sup> Qualified



# G1

## COUNTERTOP COOLER

### G-Series Coolers

#### TECH SPECS

Refrigerant	R600a	R134a
Amps	2	2
Volts/Hz	110-120V/60Hz	110-120V/60Hz
Compressor HP	1/10	1/10

#### SHIPPING SPECS

Gross Weight .....	50 lbs
Net Weight .....	45 lbs
Carton Dims (WDH).....	16"x17.75"x20.25"
Units per Pallet .....	18
Shipping Options:	
Floor Loaded .....	20' ~ 280
40'HQ ~	725
53' ~	468



#### DIMENSIONS

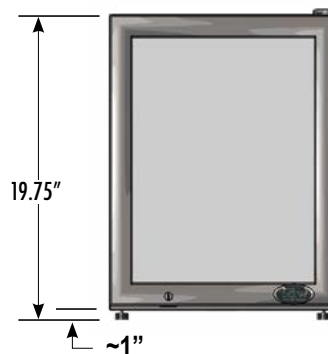
Exterior: 14.125"W x 16"D x 19.75"H

Interior: 10.875"W x 9.625"D x 14.875"H

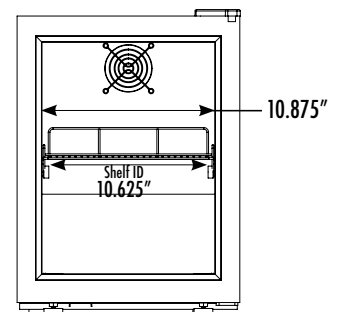
Shelf: 10.625"W x 7.75"D inches m

Internal Volume: 0.83 ft<sup>3</sup>

EXTERIOR DIMENSIONS



INTERIOR DIMENSIONS



#### PACKOUT CAPACITIES

	Facings	Deep	Total Capacity	Total Rows
	1 Shelf	4 x 3	= 20	2
	Base	4 x 2		
	1 Shelf	4 x 3	= 20	2
	Base	4 x 2		

