

G-26c/GCG-26c

UPRIGHT COOLER

G-Series Coolers

FEATURES

- Exterior Dimensions (WDH): 762 x 775 x 1991 mm
- Internal Volume: 23 ft³ / 651 L
- Dynamic LED Lighting In Door Provides Enhanced Product Illumination While Greatly Reducing Energy Consumption
- Forced Air Refrigeration System For Fast Product Temperature Pull Down
- High Impact Side Panel Graphics & LED Illuminated Canopy
- High Density Environmentally Friendly Insulation
- Utilizes Climate-Friendly Natural Refrigerant
- 4 Fully Adjustable Powder-Coated Metal Shelves
- Double-paned, Low "E", Self-Closing Glass Door
- LED Interior Lighting
- Durable Pre-painted Steel Cabinet and Heavy Duty Inner Liner
- Adjustable Temperature Control
- 9' Heavy Duty Power Cord

CERTIFICATIONS

220v

- LOA (R134a, South Africa)
- CE
- ROHS
- EMC
- CB Scheme



Available with
High Visibility LED
Illuminated Logo
in Door



G-26c/GCG-26c

UPRIGHT COOLER

G-Series Coolers

TECH SPECS

Refrigerant	R290	R134a
Amps	2.7	2.7
Volts/Hz	220-240V/50Hz	220-240V/50Hz
Compressor HP	1	1

SHIPPING SPECS

Gross Weight	145 kg
Net Weight	126 kg
Carton Dims (WDH)	770x780x2125mm
Units per Pallet	1
Shipping Options:	
Pallet Loaded	20' ~ 21 40'HQ ~ 45

DIMENSIONS




Exterior (WDH): 762 x 775 x 1990 mm

Interior (WDH): 673 x 640 x 1310 mm

Shelf (WD): 650 x 575 mm

Internal Volume: 651 L

PACKOUT CAPACITIES

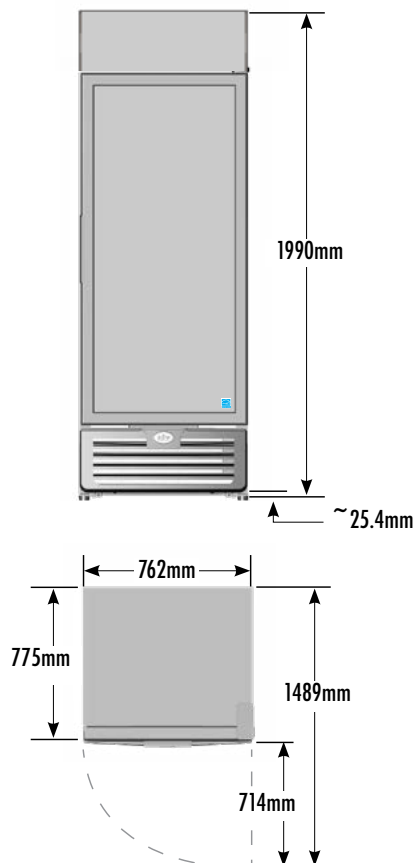
	Facings	Deep	Total Capacity	Total Rows
	7 Shelves	10 x 8	= 650*	8
	Base	10 x 9		
	6 Shelves	10 x 8	= 570*	7
	Base	10 x 9		
	4 Shelves	9 x 8	= 360**	5
	Base	9 x 8		

* Additional shelves, beyond what is supplied with the cooler, may be required to achieve this maximum pack-out.



Available with High Visibility LED Illuminated Logo in Door

EXTERIOR DIMENSIONS



INTERIOR DIMENSIONS

