

# G-7f

## COUNTERTOP COOLER

### G-Series Coolers

## FEATURES

- Exterior Dimensions (WDH): 21.375" x 23.75" x 37.375"
- Internal volume 5.5 ft<sup>3</sup>
- Dynamic LED Lighting In Door Provides Enhanced Product Illumination While Greatly Reducing Energy Consumption
- Forced Air Refrigeration System For Fast Product Temperature Pull Down
- High Impact Side Panel Graphics
- High Density Environmentally Friendly Insulation
- Utilizes Climate-Friendly Natural Refrigerant
- 3 Adjustable Powder-Coated Metal Shelves
- Double-paned, Low "E", Self-Closing Glass Door
- LED Interior Lighting
- Durable Pre-Painted Steel Cabinet and Heavy Duty Inner Liner
- Adjustable Temperature Control
- 9' Heavy Duty Power Cord

## CERTIFICATIONS

### 110v

- UL471
- NSF/ANSI-7: Type 2 Display Refrigerator
- ENERGY STAR<sup>®</sup> Qualified



## TECH SPECS

Refrigerant	R290
Amps	1.5
Volts/Hz	110-120V/60Hz
Compressor HP	1/5

## SHIPPING SPECS

Gross Weight	145 lbs
Net Weight	123 lbs
Carton Dims (WDH)	21.75"x25.375"x41.5"
Units per Pallet	8
Shipping Options:	
Floor Loaded	20' ~ 72 40'HQ ~ 144 53' ~ 208

## DIMENSIONS

Exterior: 21.375"W x 23.75"D x 37.375"H




Interior: 17.75"W x 17"D x 30.625"H

Upper Shelf: 17"W x 14.625"D

Lower Shelf: 17"W x 10.25"D

Internal Volume: 5.5 ft<sup>3</sup>

## PACKOUT CAPACITIES

	Facings	Deep	Total Capacity	Total Rows
	3 Shelves	6 x 5	= 138*	5
	1 Shelf	6 x 4		
	Base	6 x 4		
	2 Shelves	6 x 5	= 108	4
	1 Shelf	6 x 4		
	Base	6 x 4		
	2 Shelves	6 x 5	= 84**	3
	Base	6 x 4		

\* Additional shelves, beyond what is supplied with the cooler, may be required to achieve this maximum pack-out.  
\*\* 20oz pack-outs may vary depending on package size.

Info based on sample.

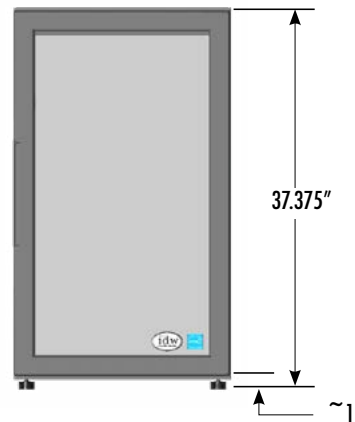
# G-7f

## COUNTERTOP COOLER

G-Series Coolers



EXTERIOR DIMENSIONS



INTERIOR DIMENSIONS

