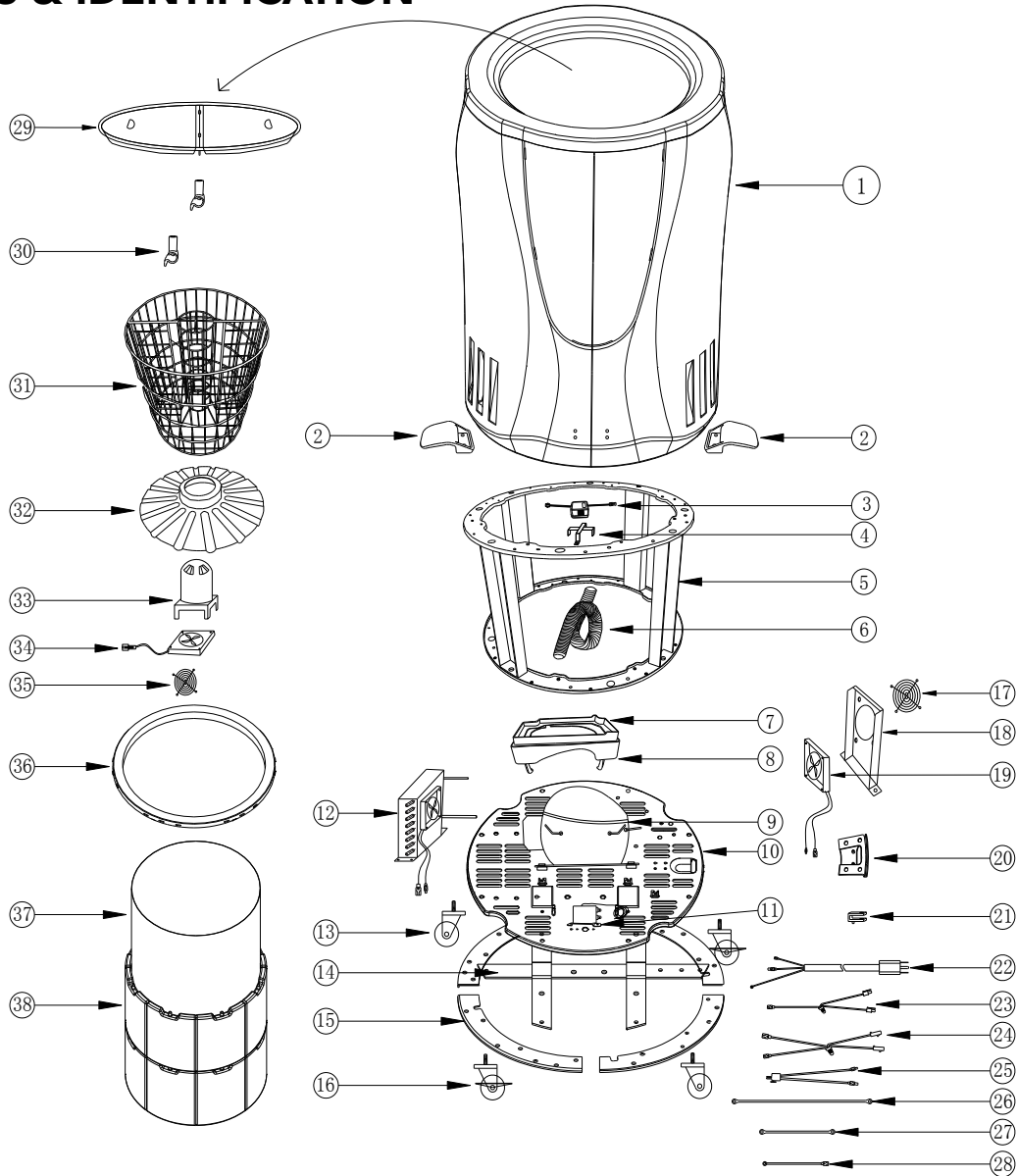


PARTS & IDENTIFICATION



- | | | | |
|--------------------------|-----------------------------|--------------------------------|--------------------------|
| 1. Cooler Cabinet | 11. Thermostat | 21. Power Cord Clip | 31. Basket |
| 2. Power Cord Holder (2) | 12. Condenser | 22. Power Cord | 32. Evaporator Baffle |
| 3. Transformer | 13. Caster (2) | 23. Fan Connecting Line | 33. Evaporator Fan Cover |
| 4. Transformer Box | 14. Base Support | 24. Ground Line 1 | 34. Evaporator Fan |
| 5. Grill Bracket | 15. Shell Base Support | 25. Thermostat Connecting Line | 35. Evaporator Fan Grill |
| 6. Outlet Pipe | 16. Caster with Lock (2) | 26. Ground Line 2 | 36. Inner Frame |
| 7. Drip Pan Cover | 17. Condenser Fan Grill | 27. Fan Grounding Line | 37. Inner Liner |
| 8. Drip Pan | 18. Condenser Fan Supporter | 28. Compressor Grounding Line | 38. Coolant Box (16) |
| 9. Compressor | 19. Condenser Fan (2) | 29. Lid | |
| 10. Compressor Base | 20. Wire Holder Cover | 30. Evaporator Fan Cover (2) | |