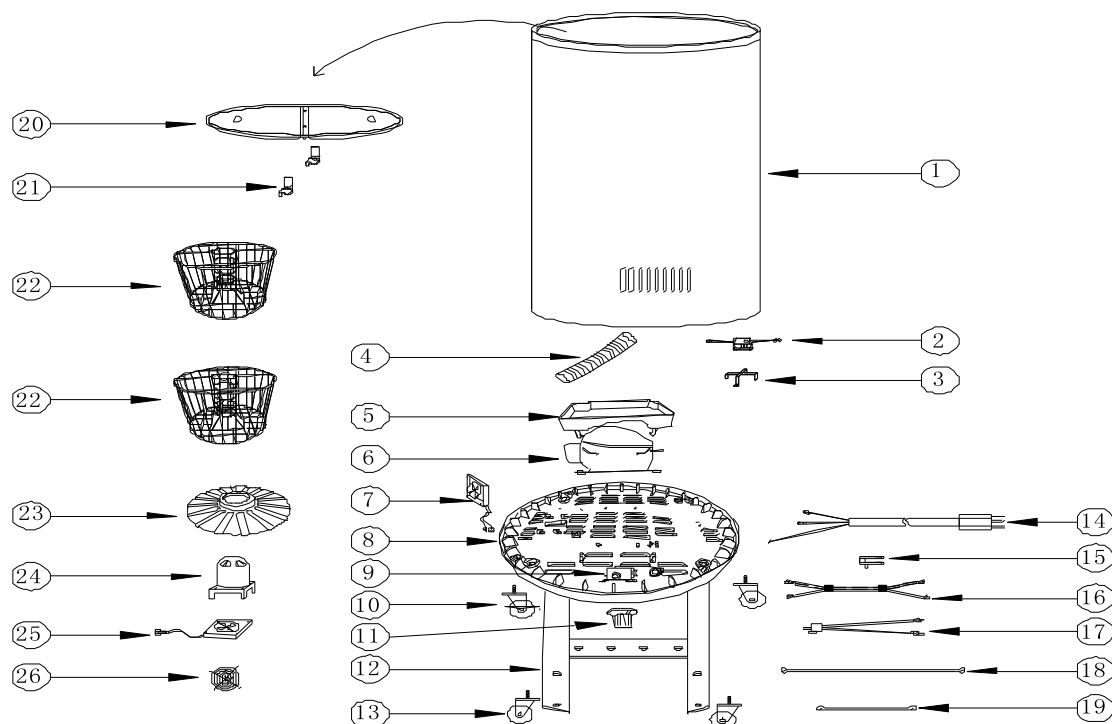


PARTS & IDENTIFICATION



- | | | | |
|-------------------------|------------------------|---------------------------------|-------------------------------|
| 1. Cabinet | 8. Bottom Plate | 15. Cord Clip | 22. Basket (2) |
| 2. Transformer | 9. Thermostat | 16. Thermostat Wire | 23. Evaporator Baffle |
| 3. Transformer Box | 10. Caster with Block | 17. Transformer Connecting Line | 24. Grey Evaporator Fan Cover |
| 4. Outlet Pipe | 11. Thermostat Knob | 18. Grounded Line | 25. Evaporator Fan |
| 5. Drip Pan | 12. Compressor Bracket | 19. Fan grounded Line | 26. Evaporator Fan Grill |
| 6. Compressor Completed | 13. Caster (3) | 20. Lid Assembly | |
| 7. Condenser Fan | 14. Power Cord | 21. Black Clamp (2) | |