

G-77

ELECTRIC IMPULSE COOLER

G-Series Coolers

FEATURES

- Exterior Dimensions (DH): 22.375" x 32.625"
- Internal Volume: 2.77 ft³
- Mobile Impulse Cooler Generates Incremental Sales in High Traffic Retail Locations
- 360° Shoppability
- Efficient Refrigeration System For Fast Product Temperature Pull Down
- High Impact Billboard Graphics Are Interchangeable With No Tools Required
- Utilizes Climate-Friendly Natural Refrigerant
- Heavy Duty Locking Casters
- High Density Environmentally Friendly Insulation
- Adjustable Temperature Control
- 9' Heavy Duty Power Cord

CERTIFICATIONS

110v

- UL471
- NSF/ANSI-7: Beverage Cooler
- ENERGY STAR[®] Qualified



G-77

ELECTRIC IMPULSE COOLER

G-Series Coolers

TECH SPECS

Refrigerant	R600a	R134a
Amps	1.3	1.8
Volts/Hz	110-120V/60Hz	110-120V/60Hz
Compressor HP	1/8	1/6

SHIPPING SPECS

Gross Weight	73 lbs
Net Weight	66 lbs
Carton Dims (WDH)	22.875"x22.875"x34.25"
Units per Pallet	8
Shipping Options:	
Floor Loaded	20' ~ 80 40'HQ ~ 240 53' ~ 208

DIMENSIONS

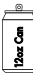
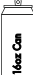

Exterior: 22.375"D x 32.625"H

Interior: 18"D x 18.75"H

Basket: 16.625"D x 17.75"H

Internal Volume: 2.77ft³

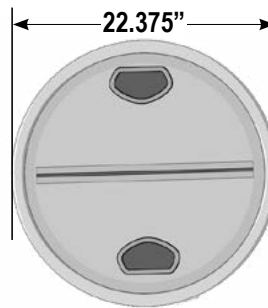
PACKOUT CAPACITIES

	Total Capacity
	80
	60
	40**

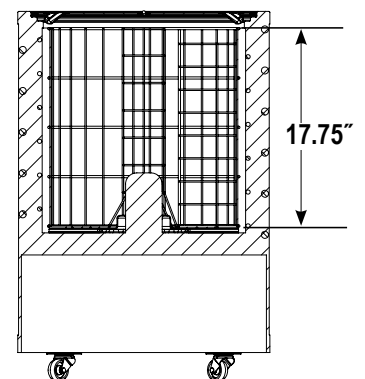
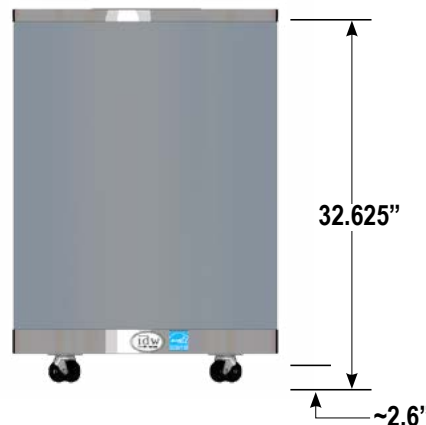
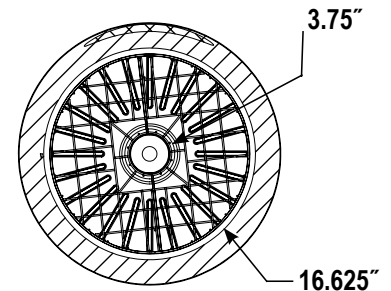
** 20oz pack-outs may vary depending on package size.



EXTERIOR DIMENSIONS



INTERIOR DIMENSIONS



8825 Boston Place, Rancho Cucamonga CA 91730 | Toll: 877.307.2665 | Office: 909.447.8254 | Fax: 909.305.8756 | www.idw.global

The specifications contained herein are for illustrative marketing purposes only and are not intended to be relied upon in whole or in part. All creative works are the sole property of IDW, Inc. Any reproduction in part or as a whole without written permission from IDW, Inc. is prohibited.