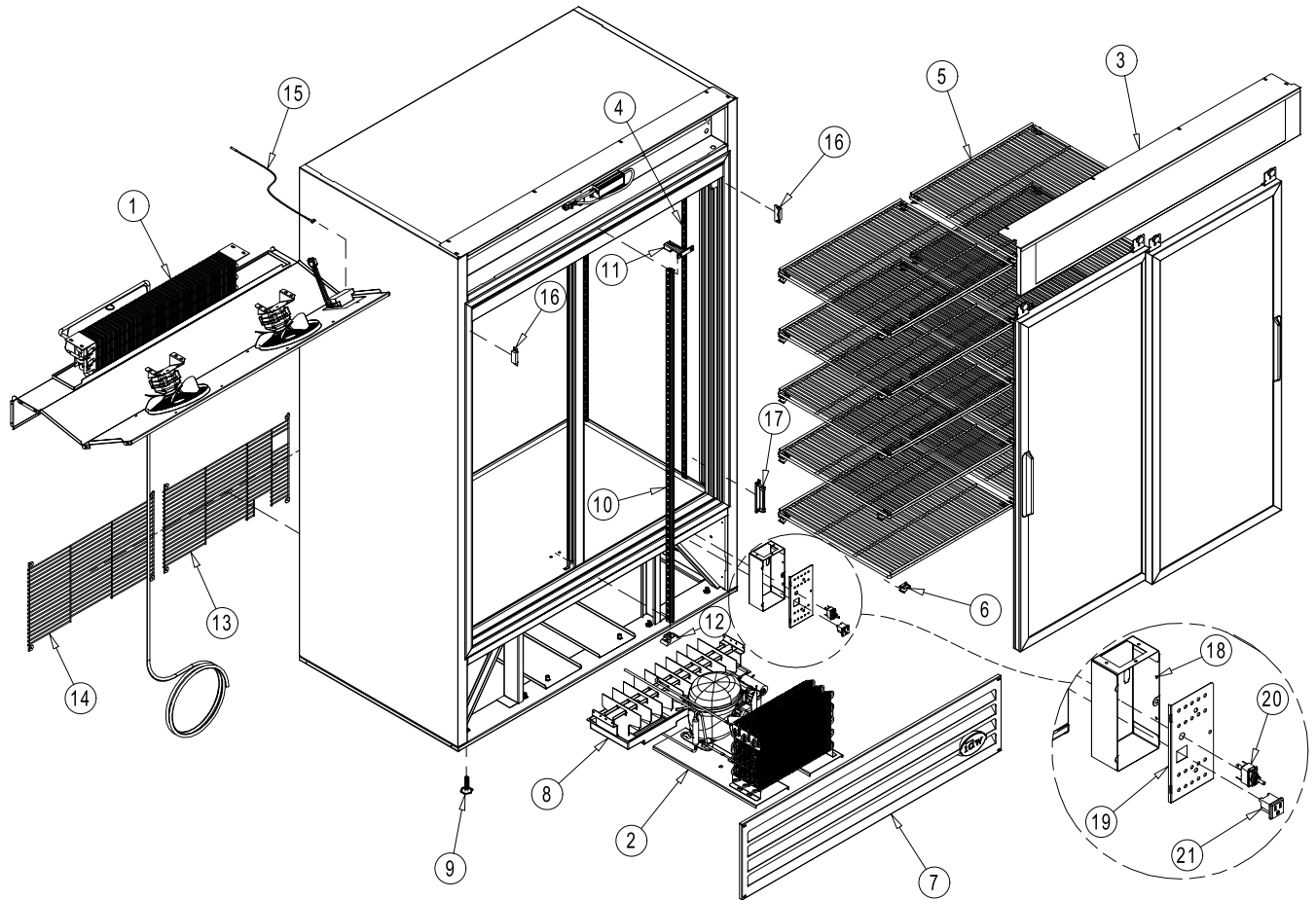


PARTS & IDENTIFICATION



- | | | |
|-------------------------|--------------------------------|--------------------------|
| 1. Refrigeration System | 8. Water Drain Pan | 15. Thermostat |
| 2. Condensing Unit | 9. Leveling Legs (?) | 16. Magnetic Switch |
| 3. Header Sign | 10. Pilaster (?) | 17. Thermometer |
| 4. 48" Pilaster (?) | 11. Pilaster Poster Holder (?) | 18. Electrical Box |
| 5. Flat Shelf (10) | 12. Pilaster Post Base (?) | 19. Electrical Box Cover |
| 6. Shelf Clips (?) | 13. Right Back Grill | 20. ON-OFF Switch |
| 7. Front Grill | 14. Left Back Grill | 21. Receptacle |