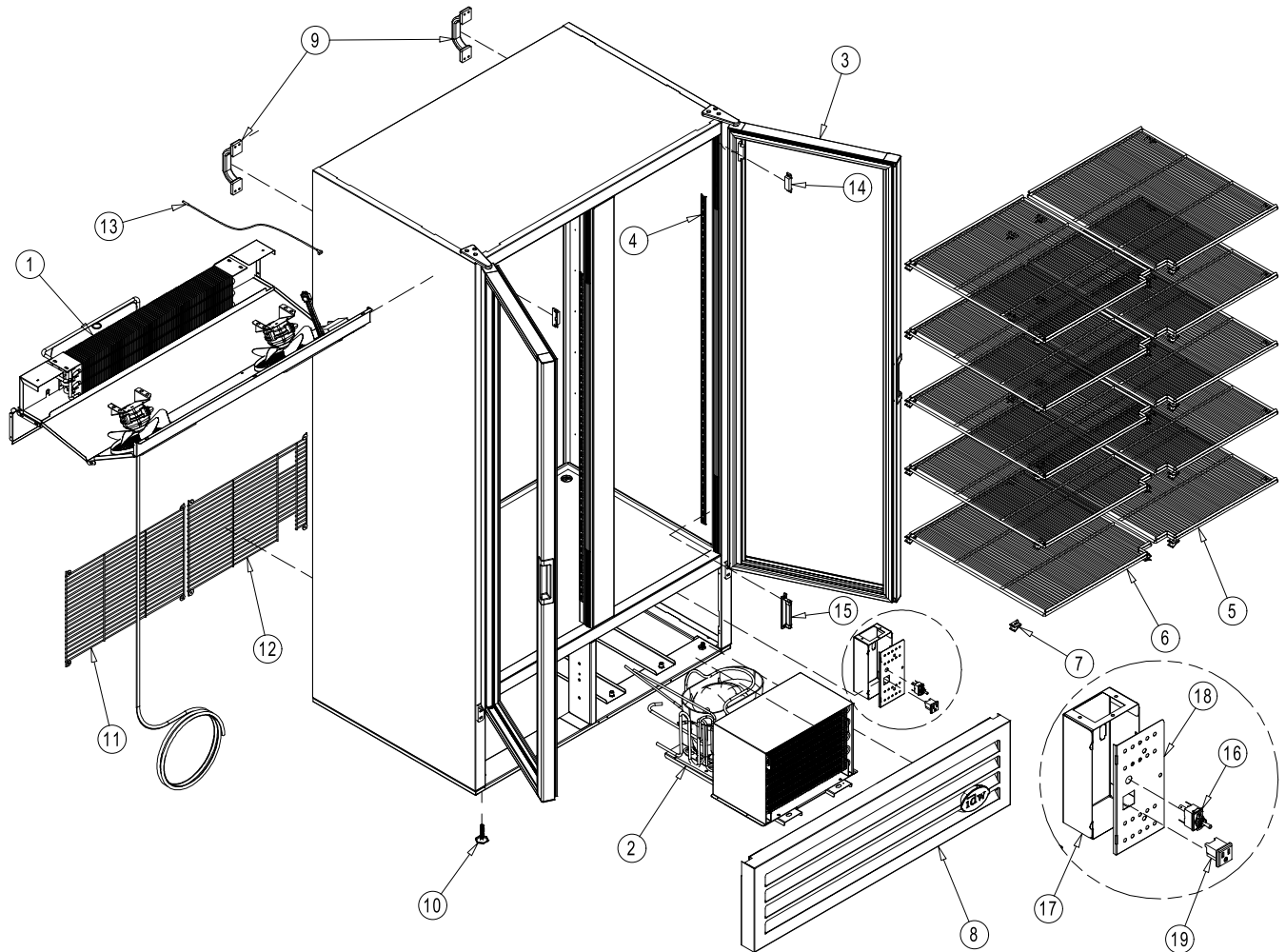


PARTS & IDENTIFICATION



- | | |
|-------------------------|--------------------------|
| 1. Refrigeration System | 11. Right Back Grill |
| 2. Condensing Unit | 12. Left Back Grill |
| 3. Door | 13. Thermostat |
| 4. 48" Pilaster (?) | 14. Magnetic Switch |
| 5. Right Flat Shelf (5) | 15. Thermometer |
| 6. Left Flat Shelf (5) | 16. ON-OFF Switch |
| 7. Shelf Clips (?) | 17. Electrical Box |
| 8. Front Grill | 18. Electrical Box Cover |
| 9. Cabinet Handles (2) | 19. Receptacle |
| 10. Leveling Legs (?) | |