

RCM-77



RECHARGE COLD MERCHANDISER

G-Series Coolers

FEATURES

- Exterior Dimensions (DH): 571.5 x 832 mm
- Internal Volume: 78 L
- Expand Your Cold Drink Availability, No Longer Are You Restricted by the Availability of Electric Power
- Unique Refrigeration System Designed for Use in Multiple Operating Environments Where Electricity is Not Available
- Designed to Maintain Ice Cold Beverage Temperatures for 12 Hours or More
- Tested to Meet the Most Stringent Performance Guidelines *
- Stimulate Impulse Sales in Any High Traffic Location:
 - Convenience Retail
 - Petroleum
 - Concessions/Stadium
 - Cafeteria
 - Special Events
 - Kiosks
- Heavy Duty Casters for Mobility and Flexibility of Placement at Retail
- Quick-Change Two Sided Graphic Panels
- CFC-Free Insulation
- 9' Cord with Cord Management System

CERTIFICATIONS

220v

- ROHS
- EMC
- SAA, MEPS Compliant (Australia)
- C-Tick (Australia)
- CB Scheme



* RCM will maintain average 1.6-4.4°C drink temperature in a 32°C environment for 12 hours without power. Actual performance may vary depending on operating environment.



U.S. Patent Nos. 8,215,125 and 9,038,412



RCM-77



RECHARGE COLD MERCHANDISER

G-Series Coolers

TECH SPECS

Refrigerant	R134a
Amps	1.8
Volts/Hz	220-240V/50Hz
Compressor HP	1/6




SHIPPING SPECS

Gross Weight	47 kg
Net Weight	42 kg
Carton Dims (WDH)	584x584x889
Units per Pallet	8
Shipping Options:	
Pallet Loaded	20' ~ 80 40'HQ ~ 160

DIMENSIONS

Exterior (DH): 571.5 x 832 mm
 Basket (DH): 378 x 453 mm
 Internal Volume: 78 L

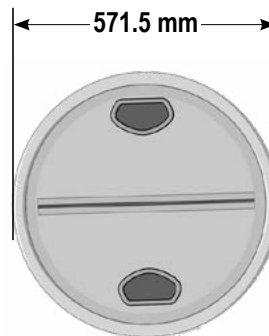
PACKOUT CAPACITIES

	Total Capacity
	64
	44
	34**

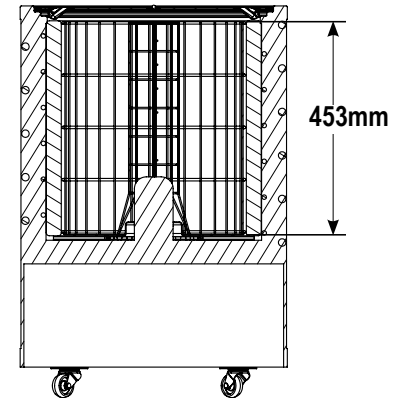
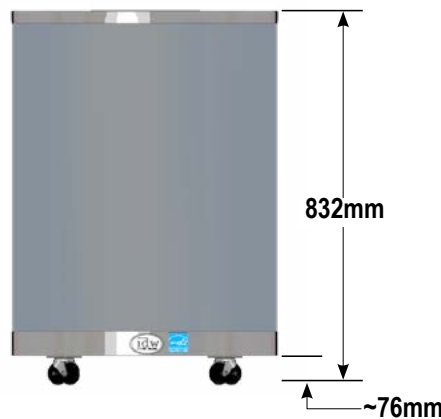
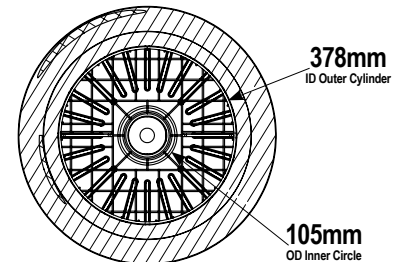


U.S. Patent Nos. 8,215,125 and 9,038,412

EXTERIOR DIMENSIONS



INTERIOR DIMENSIONS



* For best performance allow 24 hours for initial charge and load with prechilled products.

** RCM will maintain average 1.6-4.4°C drink temperature in a 32°C environment for 12 hours without power. Actual performance may vary depending on operating environment.

U.S. Patent Nos. 8,215,125 and 9,038,412

RCM-77



RECHARGE COLD MERCHANDISER

G-Series Coolers

