

G-2/GS-2

COUNTERTOP COOLER

G-Series Coolers

FEATURES

- Exterior Dimensions (WDH): 432 x 495 x 660 mm
- Internal Volume: 63 L
- Dynamic LED Lighting In Door Provides Enhanced Product Illumination While Greatly Reducing Energy Consumption
- Forced Air Refrigeration System For Fast Product Temperature Pull Down
- High Impact Side Panel Graphics
- High Density Environmentally Friendly Insulation
- Utilizes Climate-Friendly Natural Refrigerant
- 2 Fully Adjustable Powder-Coated Metal Shelves
- Double-Paneled, Low "E", Self-Closing Glass Door
- LED Interior Lighting
- Durable Pre-Painted Steel Cabinet and Heavy Duty Inner Liner
- Adjustable Temperature Control
- 9' Heavy Duty Power Cord



Available with
High Visibility LED
Illuminated Logo
in Door

CERTIFICATIONS

220v

- CE (R600a)
- ROHS
- EMC
- CB Scheme



8825 Boston Place, Rancho Cucamonga CA 91730 | Toll: 877.307.2665 | Office: 909.447.8254 | Fax: 909.305.8756 | www.idw.global

The specifications contained herein are for illustrative marketing purposes only and are not intended to be relied upon in whole or in part. All creative works are the sole property of IDW, Inc. Any reproduction in part or as a whole without written permission from IDW, Inc. is prohibited.

TECH SPECS

Refrigerant	R600a	R134a
Amps	.4	.69
Volts/Hz	220-240V/50Hz	220-240V/50Hz
Compressor HP	1/15	1/12

SHIPPING SPECS

Gross Weight	33 kg
Net Weight	31 kg
Carton Dims (WDH).....	489x559x714mm
Units per Pallet	12
Shipping Options:	
Pallet Loaded.....	20' ~ 132
	40'HQ ~ 288

DIMENSIONS




Exterior (WDH): 432 x 495 x 660 mm

Interior (WDH): 352 x 340 x 581 mm

Shelf (WD): 333 x 267 mm

Internal Volume: 63 L

PACKOUT CAPACITIES

	Facings	Deep	Total Capacity	Total Rows
	2 Shelves	5 x 4	= 55	3
	Base	5 x 3		
	2 Shelves	5 x 4	= 55	3
	Base	5 x 3		
	1 Shelf	4 x 3	= 20**	2
	Base	4 x 2		

** 20oz pack-outs may vary depending on package size.

G-2/GS-2

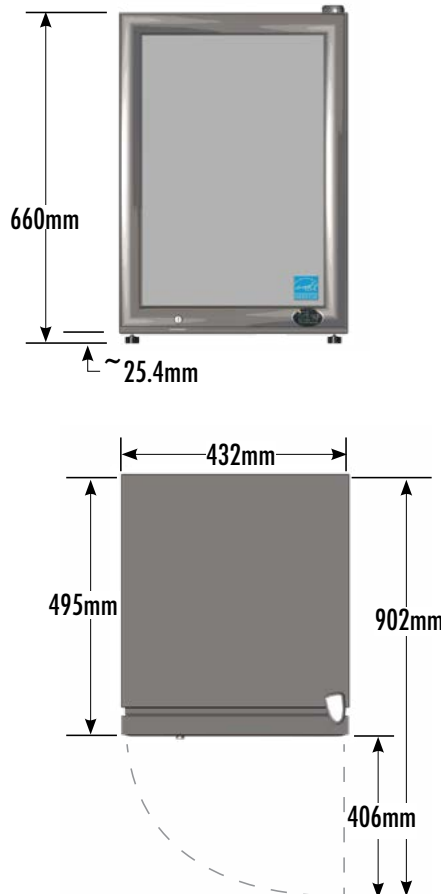
COUNTERTOP COOLER

G-Series Coolers

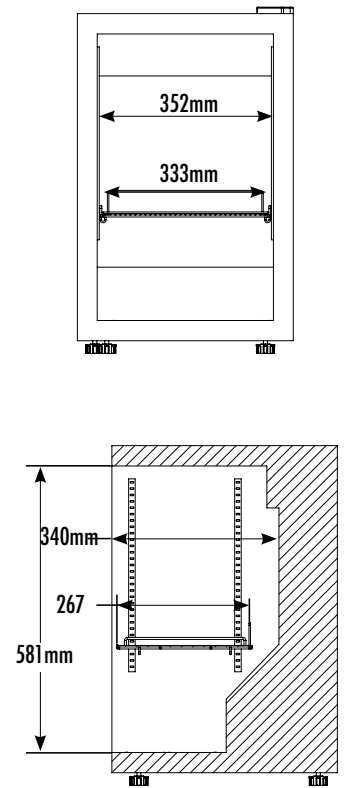


Available with
High Visibility LED
Illuminated Logo
in Door

EXTERIOR DIMENSIONS



INTERIOR DIMENSIONS



8825 Boston Place, Rancho Cucamonga CA 91730 | Toll: 877.307.2665 | Office: 909.447.8254 | Fax: 909.305.8756 | www.idw.global

The specifications contained herein are for illustrative marketing purposes only and are not intended to be relied upon in whole or in part. All creative works are the sole property of IDW, Inc. Any reproduction in part or as a whole without written permission from IDW, Inc. is prohibited.