

GCG-6c

COUNTERTOP COOLER

G-Series Coolers

FEATURES

- Exterior Dimensions (WDH): 22.125" x 21.125" x 36.125"
- Internal Volume: 3.71 ft³
- Dynamic LED Lighting In Door Provides Enhanced Product Illumination While Greatly Reducing Energy Consumption
- Forced Air Refrigeration System For Fast Product Temperature Pull Down
- High Impact Side Panel Graphics
- High Density Environmentally Friendly Insulation
- Utilizes Climate-Friendly Natural Refrigerant
- 2 Adjustable Powder-Coated Metal Shelves
- Double-paned, Low "E", Self-Closing Glass Door
- LED Interior Lighting
- Durable Pre-painted Steel Cabinet and Heavy Duty Inner Liner
- Adjustable Temperature Control
- 9' Heavy Duty Power Cord

CERTIFICATIONS

110v

- CETL & ETL Listed
- NSF/ANSI-7: Type 2 Display Refrigerator
- ENERGY STAR[®] Qualified



High Visibility LED
Illuminated Logo
in Door



8825 Boston Place, Rancho Cucamonga CA 91730 | Toll: 877.307.2665 | Office: 909.447.8254 | Fax: 909.305.8756 | www.idw.global

The specifications contained herein are for illustrative marketing purposes only and are not intended to be relied upon in whole or in part. All creative works are the sole property of IDW, Inc. Any reproduction in part or as a whole without written permission from IDW, Inc. is prohibited.



GCG-6c

COUNTERTOP COOLER

G-Series Coolers

TECH SPECS

Refrigerant	R600a
Amps	2.8
Volts/Hz	110-120V/60Hz
Compressor HP	1/6

SHIPPING SPECS

Gross Weight	117 lbs
Net Weight	104 lbs
Carton Dims (WDH)	25.5"x23"x38.25"
Units per Pallet	8
Shipping Options:	
Floor Loaded	20' ~ 72
	40'HQ ~ 152
	53' ~ 208

DIMENSIONS

Exterior: 22.125"W x 21.125"D x 36.125"H

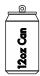




Interior: 18.68"W x 14.13"D x 23.25"H

Upper Shelf: 17.68"W x 8.27"D

Lower Shelf: 17.68"W x 11.95"D

Internal Volume: 3.71 ft³

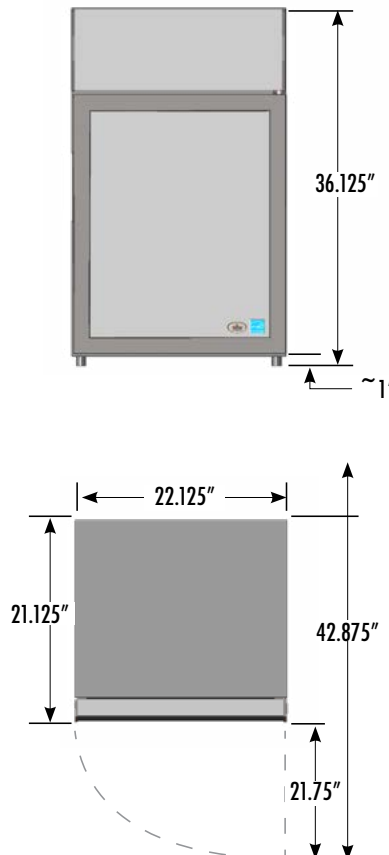
PACKOUT CAPACITIES

	Facings	Deep	Total Capacity	Total Rows
 Top Shelf	7	x 3	= 77	3
 1 Shelf + Base	7	x 4	= 77	3
 Top Shelf	7	x 3	= 77	3
 1 Shelf + Base	7	x 4	= 77	3
 1 Shelf + Base	6	x 4	= 48**	2

** 20oz pack-outs may vary depending on package size.



EXTERIOR DIMENSIONS



INTERIOR DIMENSIONS

