

G-26c/GCG-26c

UPRIGHT COOLER

G-Series Coolers

FEATURES

- Exterior Dimensions (WDH): 762 x 775 x 1991 mm
- Internal Volume: 23 ft³ / 651 L
- Dynamic LED Lighting In Door Provides Enhanced Product Illumination While Greatly Reducing Energy Consumption
- Forced Air Refrigeration System For Fast Product Temperature Pull Down
- High Impact Side Panel Graphics & LED Illuminated Canopy
- High Density Environmentally Friendly Insulation
- Utilizes Climate-Friendly Natural Refrigerant
- 5 Fully Adjustable Powder-Coated Metal Shelves
- Double-paned, Low "E", Self-Closing Glass Door
- LED Interior Lighting
- Durable Pre-painted Steel Cabinet and Heavy Duty Inner Liner
- Adjustable Temperature Control
- 9' Heavy Duty Power Cord

CERTIFICATIONS

220v

- LOA (R134a, South Africa)
- CE
- ROHS
- EMC
- CB Scheme



Available with
High Visibility LED
Illuminated Logo
in Door



G-26c/GCG-26c

UPRIGHT COOLER

G-Series Coolers

TECH SPECS

| | | |
|---------------|---------------|---------------|
| Refrigerant | R290 | R134a |
| Amps | 2.7 | 2.7 |
| Volts/Hz | 220-240V/50Hz | 220-240V/50Hz |
| Compressor HP | 1 | 1 |

SHIPPING SPECS

| | |
|-------------------|------------------------|
| Gross Weight | 145 kg |
| Net Weight | 126 kg |
| Carton Dims (WDH) | 770x780x2125mm |
| Units per Pallet | 1 |
| Shipping Options: | |
| Pallet Loaded | 20' ~ 21 40'HQ ~ 45 |

DIMENSIONS


Exterior (WDH): 762 x 775 x 1990 mm

Interior (WDH): 673 x 640 x 1310 mm

Shelf (WD): 650 x 575 mm

Internal Volume: 651 L

PACKOUT CAPACITIES

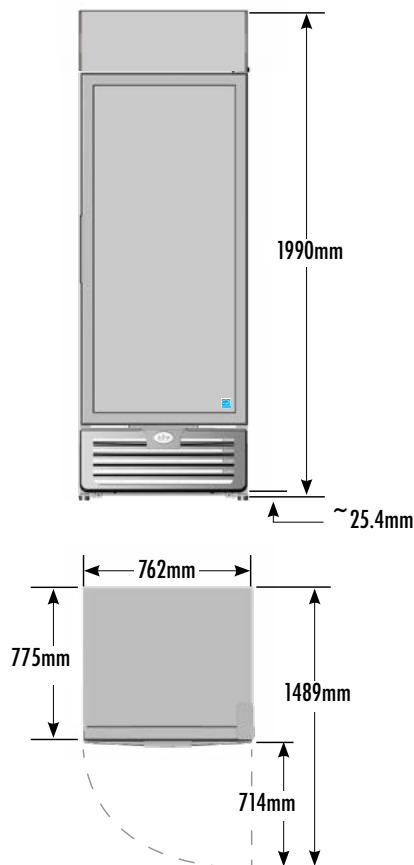
| | Facings | Deep | Total Capacity | Total Rows |
|--|-----------|--------|----------------|------------|
|  | 7 Shelves | 10 x 8 | = 650* | 8 |
| | Base | 10 x 9 | | |
|  | 6 Shelves | 10 x 8 | = 570* | 7 |
| | Base | 10 x 9 | | |
|  | 4 Shelves | 9 x 8 | = 360** | 5 |
| | Base | 9 x 8 | | |

* Additional shelves, beyond what is supplied with the cooler, may be required to achieve this maximum pack-out.



Available with High Visibility LED Illuminated Logo in Door

EXTERIOR DIMENSIONS



INTERIOR DIMENSIONS

