

# GS-1.5

## COUNTERTOP COOLER

G-Series Coolers

### FEATURES

- Exterior Dimensions (WDH): 14.5" x 15.875" x 21.5"
- Internal Volume: 0.96 ft<sup>3</sup>
- Dynamic LED Lighting In Door Provides Enhanced Product Illumination While Greatly Reducing Energy Consumption
- Forced Air Evaporator System For Fast Product Temperature Pull Down
- High Impact Side Panel Graphics
- High Density Environmentally Friendly Insulation
- Utilizes Climate-Friendly Natural Refrigerant
- 1 Fixed Powder-Coated Metal Shelf
- Double-paned, Low "E", Self-Closing Glass Door
- LED Interior Lighting
- Durable Pre-painted Steel Cabinet and Heavy Duty Inner Liner
- Adjustable Temperature Control
- 9' Heavy Duty Power Cord



High Visibility  
Animated LED  
Illuminated Logo in  
Door. Not certified  
for 220V

### CERTIFICATIONS

110v

- UL471
- NSF/ANSI-7: Type 2 Display Refrigerator
- ENERGY STAR® Qualified



8825 Boston Place, Rancho Cucamonga CA 91730 | Toll: 877.307.2665 | Office: 909.447.8254 | Fax: 909.305.8756 | [www.idw.global](http://www.idw.global)

The specifications contained herein are for illustrative marketing purposes only and are not intended to be relied upon in whole or in part. All creative works are the sole property of IDW, Inc. Any reproduction in part or as a whole without written permission from IDW, Inc. is prohibited.

# GS-1.5

## COUNTERTOP COOLER

G-Series Coolers

### TECH SPECS

Refrigerant	R600a
Amps	2
Volts/Hz	110-120V/60Hz
Compressor HP	1/8

### SHIPPING SPECS

Gross Weight	57 lbs
Net Weight	53 lbs
Carton Dims (WDH)	16.5"x18.5"x22.5"
Units per Pallet	18
Shipping Options:	
Floor Loaded	20' ~ 240 40'HQ ~ 500 53' ~ 468

### DIMENSIONS

Exterior: 14.5"W x 15.875"D x 21.5"H

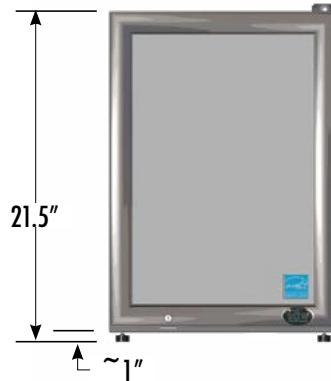
Interior: 11.375"W x 9.5"D x 16.875"H

Shelf: 10.875"W x 8.25"D

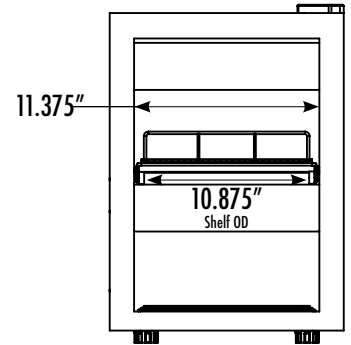
Internal Volume: 0.96 ft<sup>3</sup>





EXTERIOR DIMENSIONS



INTERIOR DIMENSIONS



### PACKOUT CAPACITIES

		Facings	Deep	Total Capacity	Total Rows
	1 Shelf	4	x 3	= 20	2
	Base	4	x 2		
	1 Shelf	4	x 3	= 20	2
	Base	4	x 2		

