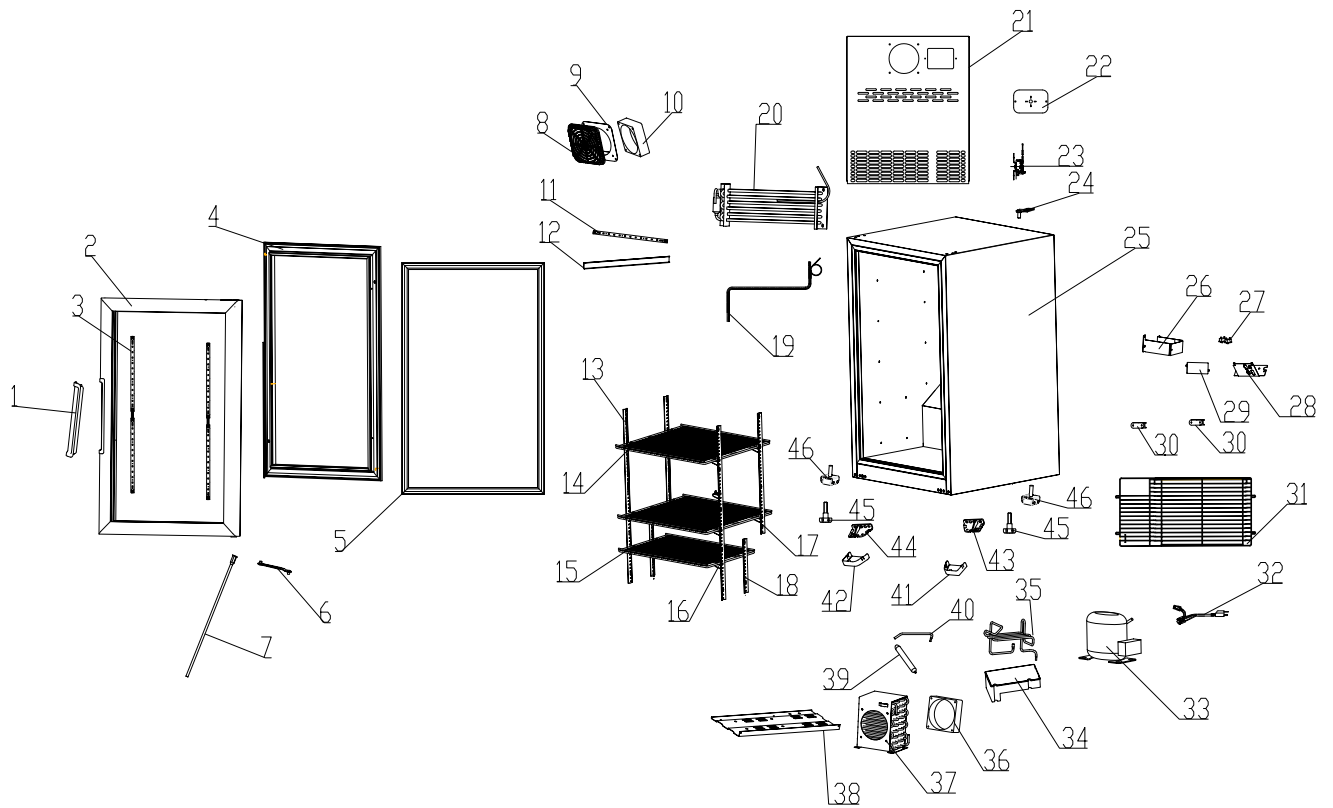


## PARTS & IDENTIFICATION



- |                                |                                 |   |                       |
|--------------------------------|---------------------------------|---|-----------------------|
| 1. Door Handle                 | 15. Small Shelf                 | 29. Switching Power Supply of LED Box (2) | 43. Lower Right Hinge |
| 2. Glass Door Complete (2)     | 16. Pilaster Clips (12)         | 30. Bumper Block (2)                      | 44. Lower Left Hinge  |
| 3. LED Light in the Glass Door | 17. Pilaster Strips (middle, 2) | 31. Compressor Guard                      | 45. Leveler (2)       |
| 4. LED Light Cover             | 18. Pilaster Strips (short, 2)  | 32. Power Cord                            | 46. Fixed Caster (2)  |
| 5. Door Gasket                 | 19. Return Pipe                 | 33. Compressor                            |                       |
| 6. Door Limiter                | 20. Evaporator                  | 34. Drip Pan                              |                       |
| 7. Door Self-Closing Rod       | 21. Air Channel Panel           | 35. Connecting Tube for Condenser         |                       |
| 8. Fan Guard                   | 22. Thermostat panel (5)        | 36. Condenser Fan                         |                       |
| 9. Fan Baseboard               | 23. Thermostat (20)             | 37. Condenser                             |                       |
| 10. Evaporator Fan             | 24. Top Hinge (4)               | 38. Compressor Baseboard                  |                       |
| 11. LED Light                  | 25. Cabinet                     | 39. Filter Dryer                          |                       |
| 12. LED Light Cover            | 26. Electric Box Housing        | 40. Connecting Tube for Filter Dryer      |                       |
| 13. Pilaster Strips (long, 2)  | 27. Light Switch (2)            | 41. Lower Right Hinge Cover               |                       |
| 14. Large Shelf (2)            | 28. Switch Panel                | 42. Lower Left Hinge Cover                |                       |