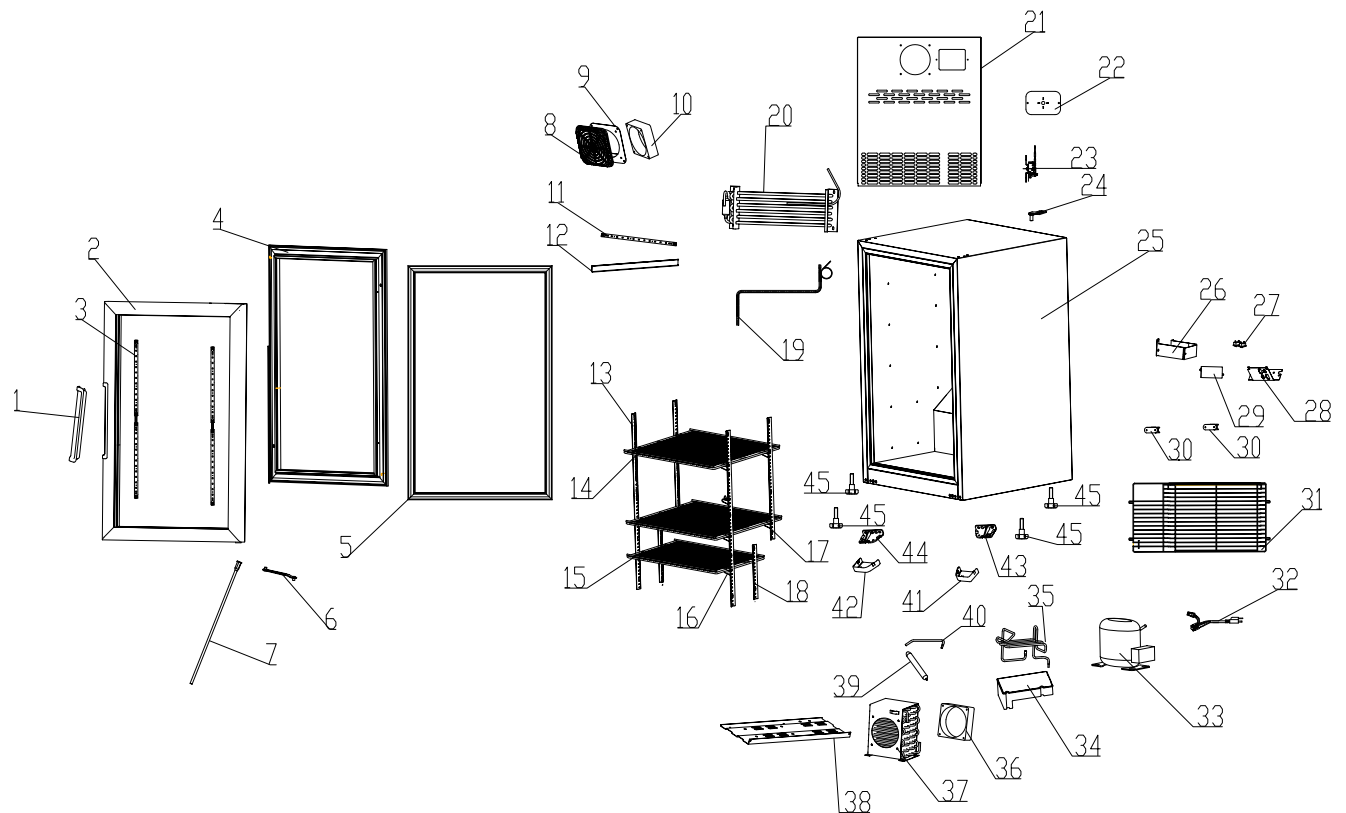


PARTS & IDENTIFICATION



- | | | |
|--------------------------------|---|--------------------------------------|
| 1. Door Handle | 17. Pilaster Strips (middle, 2) | 32. Power Cord |
| 2. Glass Door Complete (2) | 18. Pilaster Strips (short, 2) | 33. Compressor |
| 3. LED Light in the Glass Door | 19. Return Pipe | 34. Drip Pan |
| 4. LED Light Cover | 20. Evaporator | 35. Connecting Tube for Condenser |
| 5. Door gasket | 21. Air Channel Panel | 36. Condenser Fan |
| 6. Door Limiter | 22. Thermostat Panel | 37. Condenser |
| 7. Door Self-Closing Rod | 23. Thermostat | 38. Compressor Baseboard |
| 8. Fan Guard | 24. Top Hinge | 39. Filter Dryer |
| 9. Fan Baseboard | 25. Cabinet | 40. Connecting Tube for Filter Dryer |
| 10. Evaporator Fan | 26. Electric Box Housing | 41. Lower Right Hinge Cover |
| 11. LED Light | 27. Light Switch (2) | 42. Lower Left Hinge Cover |
| 12. LED Light Cover | 28. Switch Panel | 43. Lower Right Hinge |
| 13. Pilaster Strips (long, 2) | 29. Switching Power Supply of LED Box (2) | 44. Lower Left Hinge |
| 14. Large Shelf (2) | 30. Bumper Block (2) | 45. Leveler (4) |
| 15. Small Shelf | 31. Compressor Guard | |
| 16. Shelf Clips (12) | | |