

RCM-77



RECHARGE COLD MERCHANDISER

G-Series Coolers

FEATURES

- Exterior Dimensions (DH): 22.5" x 32.75"
- Internal Volume: 2.77 ft³
- Expand Your Cold Drink Availability, No Longer Are You Restricted by the Availability of Electric Power
- Unique Refrigeration System Designed for Use in Multiple Operating Environments Where Electricity is Not Available
- Designed to Maintain Ice Cold Beverage Temperatures for 12 Hours or More
- Tested to Meet the Most Stringent Performance Guidelines *
- Utilizes Climate-Friendly Natural Refrigerant
- Stimulate Impulse Sales in Any High Traffic Location:
 - Convenience Retail
 - Petroleum
 - Concessions/Stadium
 - Cafeteria
 - Special Events
 - Kiosks
- Heavy Duty Casters for Mobility and Flexibility of Placement at Retail
- Quick-Change Two Sided Graphic Panels
- CFC-Free Insulation
- 9' Cord with Cord Management System

CERTIFICATIONS

110v

- UL471
- NSF/ANSI-7: Beverage Cooler
- ENERGY STAR® Qualified



U.S. Patent Nos. 8,215,125 and 9,038,412



* RCM will maintain average 35-40°F drink temperature in a 90°F environment for 12 hours without power. Actual performance may vary depending on operating environment.



8825 Boston Place, Rancho Cucamonga CA 91730 | Toll: 877.307.2665 | Office: 909.447.8254 | Fax: 909.305.8756 | www.idw.global

The specifications contained herein are for illustrative marketing purposes only and are not intended to be relied upon in whole or in part. All creative works are the sole property of IDW, Inc. Any reproduction in part or as a whole without written permission from IDW, Inc. is prohibited.

RCM-77



RECHARGE COLD MERCHANDISER

G-Series Coolers

TECH SPECS

Refrigerant	R600a
Amps	1.3
Volts/Hz	110-120V/60Hz
Compressor HP	1/8

SHIPPING SPECS

Gross Weight	104 lbs
Net Weight	93 lbs
Carton Dims (WDH).....	23"x23"x35"
Units per Pallet	8
Shipping Options:	
Floor Loaded	20' ~ 80
	40'HQ ~ 240
	53' ~ 208




DIMENSIONS

Exterior: 22.5"D x 32.75"H

Basket: 14.88"D x 17.83"H

Internal Volume: 2.77 ft³

PACKOUT CAPACITIES

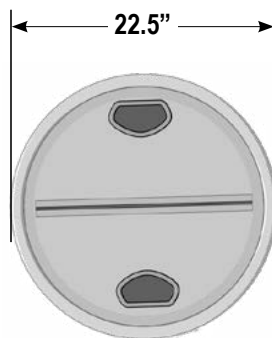
	Total Capacity
 16oz Can	64
 12oz Can	44
 20 oz PET	34**

** 20oz pack-outs may vary depending on package size.

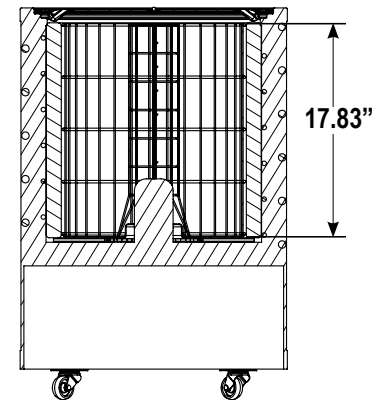
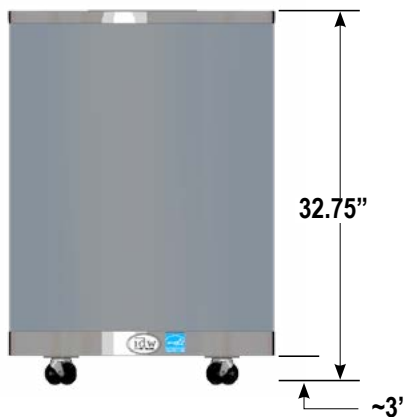
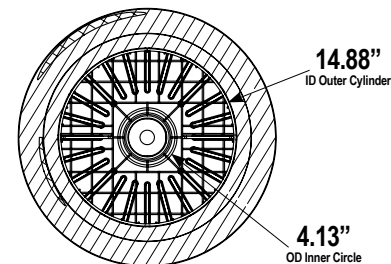


U.S. Patent Nos. 8,215,125 and 9,038,412

EXTERIOR DIMENSIONS



INTERIOR DIMENSIONS



* For best performance allow 24 hours for initial charge and load with prechilled products.

** RCM will maintain average 35-40°F drink temperature in a 90°F environment for 12 hours without power. Actual performance may vary depending on operating environment.

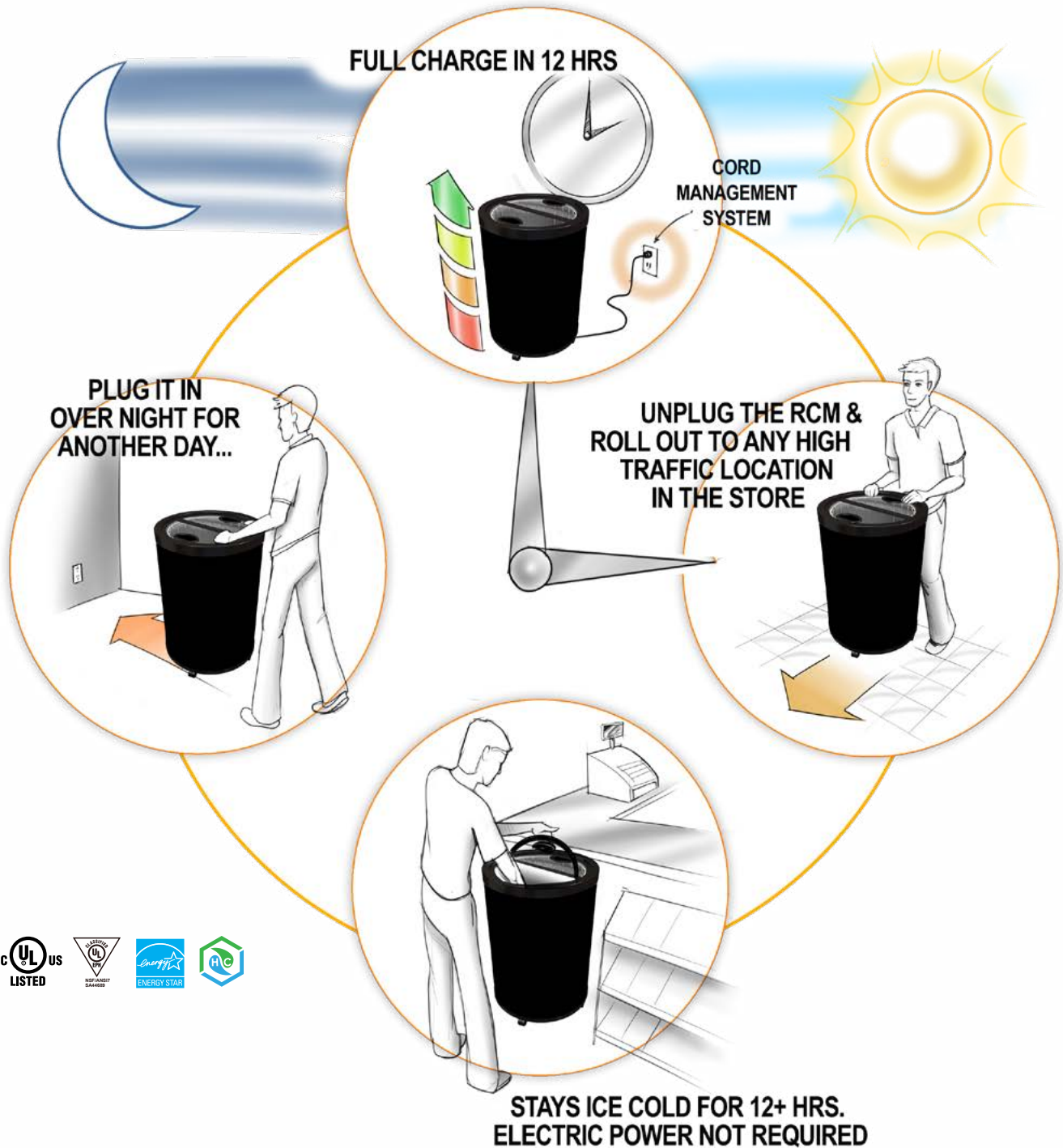
U.S. Patent Nos. 8,215,125 and 9,038,412

RCM-77



RECHARGE COLD MERCHANDISER

G-Series Coolers



8825 Boston Place, Rancho Cucamonga CA 91730 | Toll: 877.307.2665 | Office: 909.447.8254 | Fax: 909.305.8756 | www.idw.global

The specifications contained herein are for illustrative marketing purposes only and are not intended to be relied upon in whole or in part. All creative works are the sole property of IDW, Inc. Any reproduction in part or as a whole without written permission from IDW, Inc. is prohibited.