

G-Baby/GCG-Baby

COUNTERTOP COOLER

G-Series Coolers

FEATURES

- Exterior Dimensions (WDH): 13.375" x 17.625" x 24.5"
- Internal Volume: 0.83 ft³
- Dynamic LED Lighting In Door Provides Enhanced Product Illumination While Greatly Reducing Energy Consumption
- Forced Air Refrigeration System For Fast Product Temperature Pull Down
- High Impact Side Panel Graphics
- High Density Environmentally Friendly Insulation
- Utilizes Climate-Friendly Natural Refrigerant
- 1 Fixed Powder-Coated Metal Shelf
- Double-paned, Low "E", Self-Closing Glass Door
- LED Interior Lighting
- Durable Pre-Painted Steel Cabinet and Heavy Duty Inner Liner
- Adjustable Temperature Control
- 9' Heavy Duty Power Cord

CERTIFICATIONS

110v

- CETL & ETL Listed
- NSF/ANSI-7: Type 2 Display Refrigerator
- ENERGY STAR[®] Qualified



Available with
High Visibility LED
Illuminated Logo
in Door



G-Baby/GCG-Baby

COUNTERTOP COOLER

G-Series Coolers

TECH SPECS

Refrigerant	R600a
Amps	.9
Volts/Hz	110-120V/60Hz
Compressor HP	1/10

SHIPPING SPECS

Gross Weight	55 lbs
Net Weight	51 lbs
Carton Dims (WDH)	15"x18.125"x26"
Units per Pallet	18
Shipping Options:	
Floor Loaded	20' ~ 225
40'HQ	~ 620
53'	~ 468

DIMENSIONS




Exterior: 13.375"W x 17.625"D x 24.5"H

Interior: 10"W x 9.25"D x 14.5"H

Shelves: 9.25"W x 8.125"D

Internal Volume: 0.83 ft³

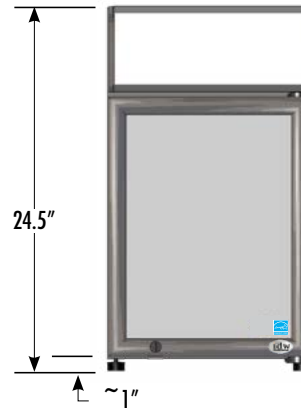
PACKOUT CAPACITIES

	Shelves	Facings	Deep	Total Capacity	Total Rows
	2 Shelves	3	x 3	= 18	2
 	2 Shelves	3	x 3	= 18	2



Available with High Visibility LED Illuminated Logo in Door

EXTERIOR DIMENSIONS



INTERIOR DIMENSIONS

