

G-80L

ELECTRIC IMPULSE COOLER

G-Series Coolers

FEATURES

- Exterior Dimensions: 18"W x 20.25"D x 43.25"H
- Interior Volume: 2.62 ft³
- Mobile Impulse Cooler Generates Incremental Sales in High Traffic Retail Locations
- 360° Shoppability
- High Visibility LED Illuminated Glass Lid
- Self Closing Glass Lid
- Efficient Refrigeration System For Fast Product Temperature Pull Down
- High Impact Billboard Graphics Are Interchangeable With No Tools Required
- Utilizes Climate-Friendly Natural Refrigerant
- Heavy Duty Locking Casters
- High Density Environmentally Friendly Insulation
- Adjustable Temperature Control
- 9' Heavy Duty Power Cord

CERTIFICATIONS

110v

- UL471
- NSF/ANSI-7: Beverage Cooler



TECH SPECS

Refrigerant	R600a	R600a	R134a
Amps	1.4	0.5	0.9
Volts/Hz	110-120V/60Hz	220-240V/50Hz	220-240V/50Hz
Compressor HP	1/8	1/10	1/6

SHIPPING SPECS

Gross Weight	77 lbs/35 kg
Net Weight	66 lbs/30 kg
Carton Dims (WDH)	19"x21"x44"/482x533x1117mm
Units per Pallet	12
Shipping Options:	
Floor Loaded	20' ~ 104 40'HQ ~ 240
Pallet Loaded	20' ~ 60 40'HQ ~ 192 53' ~ 312

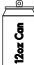



DIMENSIONS

Exterior: 18"W x 20.25" D x 43.25"H inches / 457 x 514 x 1099 mm

Basket: 14.17"D x 12.46"H inches / 360 x 316 mm

Interior Volume: 2.62 ft³ / 74 L

PACKOUT CAPACITIES

	Top Basket	Bottom Basket	Total Capacity
	40	40	= 80
 	30	30	= 60
	20	20	= 40**

** 20oz pack-outs may vary depending on package size.

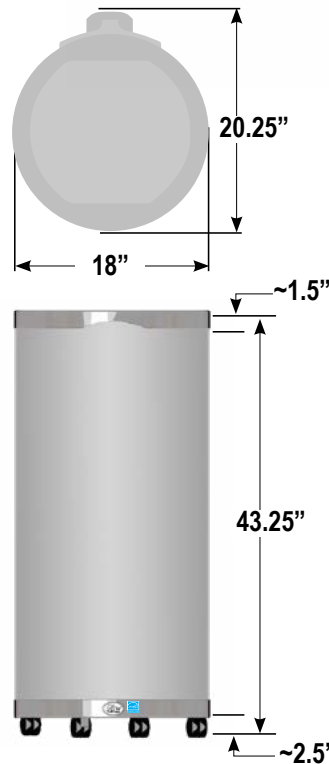
G-80L

ELECTRIC IMPULSE COOLER

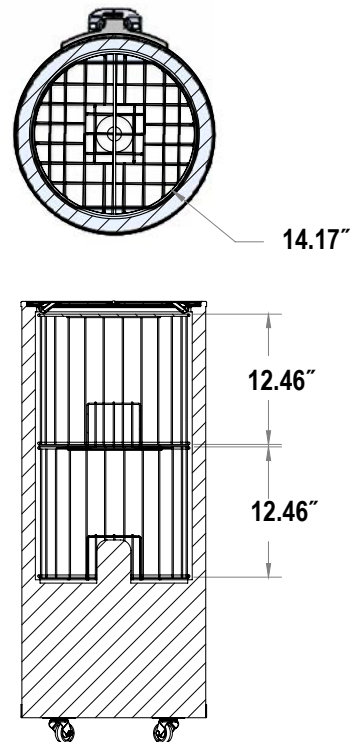
G-Series Coolers



EXTERIOR DIMENSIONS



BASKET DIMENSIONS



8825 Boston Place, Rancho Cucamonga CA 91730 | Toll: 877.307.2665 | Office: 909.447.8254 | Fax: 909.305.8756 | www.idw.global

The specifications contained herein are for illustrative marketing purposes only and are not intended to be relied upon in whole or in part. All creative works are the sole property of IDW, Inc. Any reproduction in part or as a whole without written permission from IDW, Inc. is prohibited.