

G-80L

ELECTRIC IMPULSE COOLER

G-Series Coolers

FEATURES

- Exterior Dimensions: 18"W x 20.25"D x 43.25"H
- Interior Volume: 2.62 ft³
- Mobile Impulse Cooler Generates Incremental Sales in High Traffic Retail Locations
- 360° Shoppability
- High Visibility LED Illuminated Glass Lid
- Self Closing Glass Lid
- Efficient Refrigeration System For Fast Product Temperature Pull Down
- High Impact Billboard Graphics Are Interchangeable With No Tools Required
- Utilizes Climate-Friendly Natural Refrigerant
- Heavy Duty Locking Casters
- High Density Environmentally Friendly Insulation
- Adjustable Temperature Control
- 9' Heavy Duty Power Cord

CERTIFICATIONS

110v

- UL471
- NSF-7, Beverage Cooler



TECH SPECS

Refrigerant	R600a	R600a	R134a
Amps	1.4	0.5	0.9
Volts/Hz	110-120V/60Hz	220-240V/50Hz	220-240V/50Hz
Compressor HP	1/8	1/10	1/6

SHIPPING SPECS

Gross Weight	77 lbs/35 kg
Net Weight	66 lbs/30 kg
Carton Dims (WDH).....	19"x21"x44"/482x533x1117mm
Units per Pallet	12
Shipping Options:	
Floor Loaded	20' ~ 104 40'HQ ~ 240
Pallet Loaded.....	20' ~ 60 40'HQ ~ 192 53' ~ 312

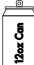



DIMENSIONS

Exterior: 18"W x 20.25" D x 43.25"H inches / 457 x 514 x 1099 mm

Basket: 14.17"D x 12.46"H inches / 360 x 316 mm

Interior Volume: 2.62 ft³ / 74 L

PACKOUT CAPACITIES

	Top Basket	Bottom Basket	Total Capacity
	40	40	= 80
 	30	30	= 60
	20	20	= 40**

** 20oz pack-outs may vary depending on package size.

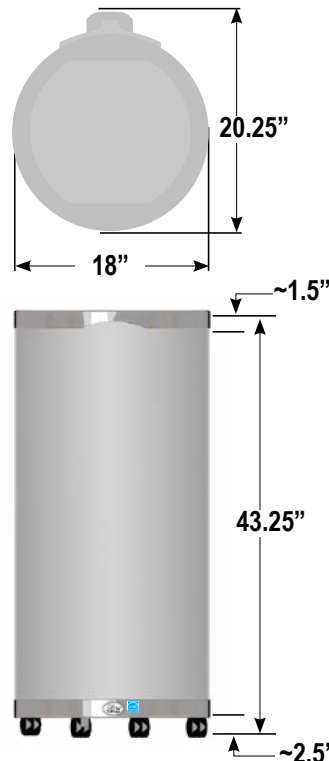
G-80L

ELECTRIC IMPULSE COOLER

G-Series Coolers



EXTERIOR DIMENSIONS



BASKET DIMENSIONS

