

G-80L

ELECTRIC IMPULSE COOLER

G-Series Coolers

FEATURES

- Exterior Dimensions (WDH): 457 x 514 x 1099 mm
- Interior Volume: 74 L
- Mobile Impulse Cooler Generates Incremental Sales in High Traffic Retail Locations
- 360° Shoppability
- High Visibility LED Illuminated Glass Lid
- Self Closing Glass Lid
- Efficient Refrigeration System For Fast Product Temperature Pull Down
- High Impact Billboard Graphics Are Interchangeable With No Tools Required
- Utilizes Climate-Friendly Natural Refrigerant
- Heavy Duty Locking Casters
- High Density Environmentally Friendly Insulation
- Adjustable Temperature Control
- 9' Heavy Duty Power Cord

CERTIFICATIONS

220v

- CE
- ROHS
- EMC
- CB Scheme



G-80L

ELECTRIC IMPULSE COOLER

G-Series Coolers

TECH SPECS

Refrigerant	R600a	R134a
Amps	0.5	0.9
Volts/Hz	220-240V/50Hz	220-240V/50Hz
Compressor HP	1/10	1/6

SHIPPING SPECS

Gross Weight	35 kg
Net Weight	30 kg
Carton Dims (WDH).....	482x533x1117mm
Units per Pallet	12
Shipping Options:	
Pallet Loaded.....	20' ~ 60
	40'HQ ~ 192




DIMENSIONS

Exterior (WDH): 457 x 514 x 1099 mm

Basket (DH): 360 x 316 mm

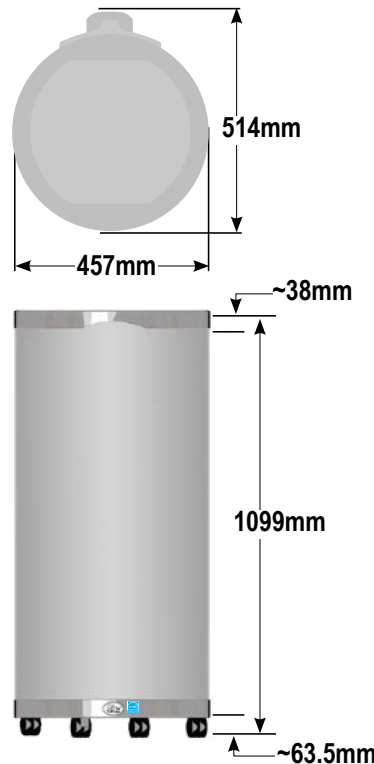
Interior Volume: 74 L

PACKOUT CAPACITIES

	Top Basket	Bottom Basket	Total Capacity
	40	40	= 80
	30	30	= 60
	20	20	= 40**



EXTERIOR DIMENSIONS



BASKET DIMENSIONS

