

RECHARGE COLD MERCHANDISER

G-Series Coolers

FEATURES

- Exterior Dimensions (DH): 622 x 965 mm
- Internal Volume: 60 L
- Expand Your Cold Drink Availability, No Longer Are You Restricted by the Availability of Electric Power
- Unique Refrigeration System Designed for Use in Multiple Operating Environments Where Electricity is Not Available
- Designed to Maintain Ice Cold Beverage Temperatures for 12 Hours or More
- Tested to Meet the Most Stringent Performance Guidelines *
- Utilizes Climate-Friendly Natural Refrigerant
- Stimulate Impulse Sales in Any High Traffic Location:
 - Convenience Retail
 - Petroleum
 - Concessions/Stadium
 - Cafeteria
 - Special Events
 - Kiosks
- Heavy Duty Casters for Mobility and Flexibility of Placement at Retail
- Quick-Change Two Sided Graphic Panels
- CFC-Free Insulation
- 9' Cord with Cord Management System



U.S. Patent Nos. 8,215,125 and 9,038,412

CERTIFICATIONS

100v

- PSE (Japan)

* RCM will maintain average 1.6 - 4.4°C drink temperature in a 32°C environment for 12 hours without power. Actual performance may vary depending on operating environment.



RECHARGE COLD MERCHANDISER

G-Series Coolers

TECH SPECS

| | |
|---------------|--------------|
| Refrigerant | R134a |
| Amps | 2.1 |
| Volts/Hz | 100V/50-60Hz |
| Compressor HP | 1/7 |



SHIPPING SPECS

| | |
|------------------------|----------------|
| Gross Weight | 58 kg |
| Net Weight | 42 kg |
| Carton Dims (WDH)..... | 660x660x1041mm |
| Units per Pallet | 4 |
| Shipping Options: | |
| Pallet Loaded..... | 20' ~ 48 |
| | 40'HQ ~ 102 |

DIMENSIONS

Exterior: 622 x 965 mm
 Basket: 387 x 451 mm
 Internal Volume: 60 L

PACKOUT CAPACITIES

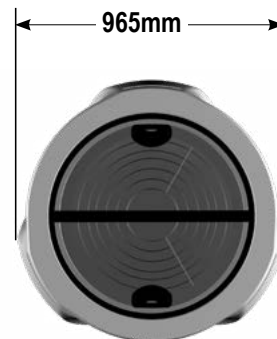
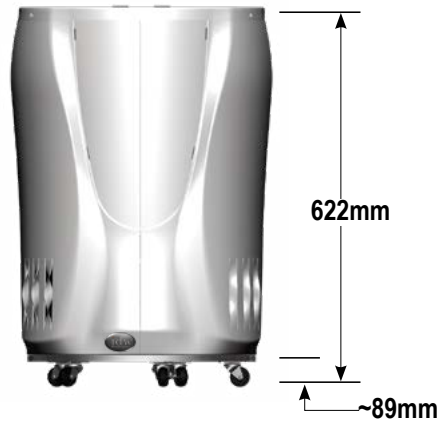
| | Total Capacity |
|---|----------------|
|  | 64 |
|  | 34 |



U.S. Patent Nos. 8,215,125 and 9,038,412

EXTERIOR DIMENSIONS

INTERIOR DIMENSIONS



* For best performance allow 24 hours for initial charge and load with prechilled products.

** RCM will maintain average 1.6-4.4°C drink temperature in a 32°C environment for 12 hours without power. Actual performance may vary depending on operating environment.

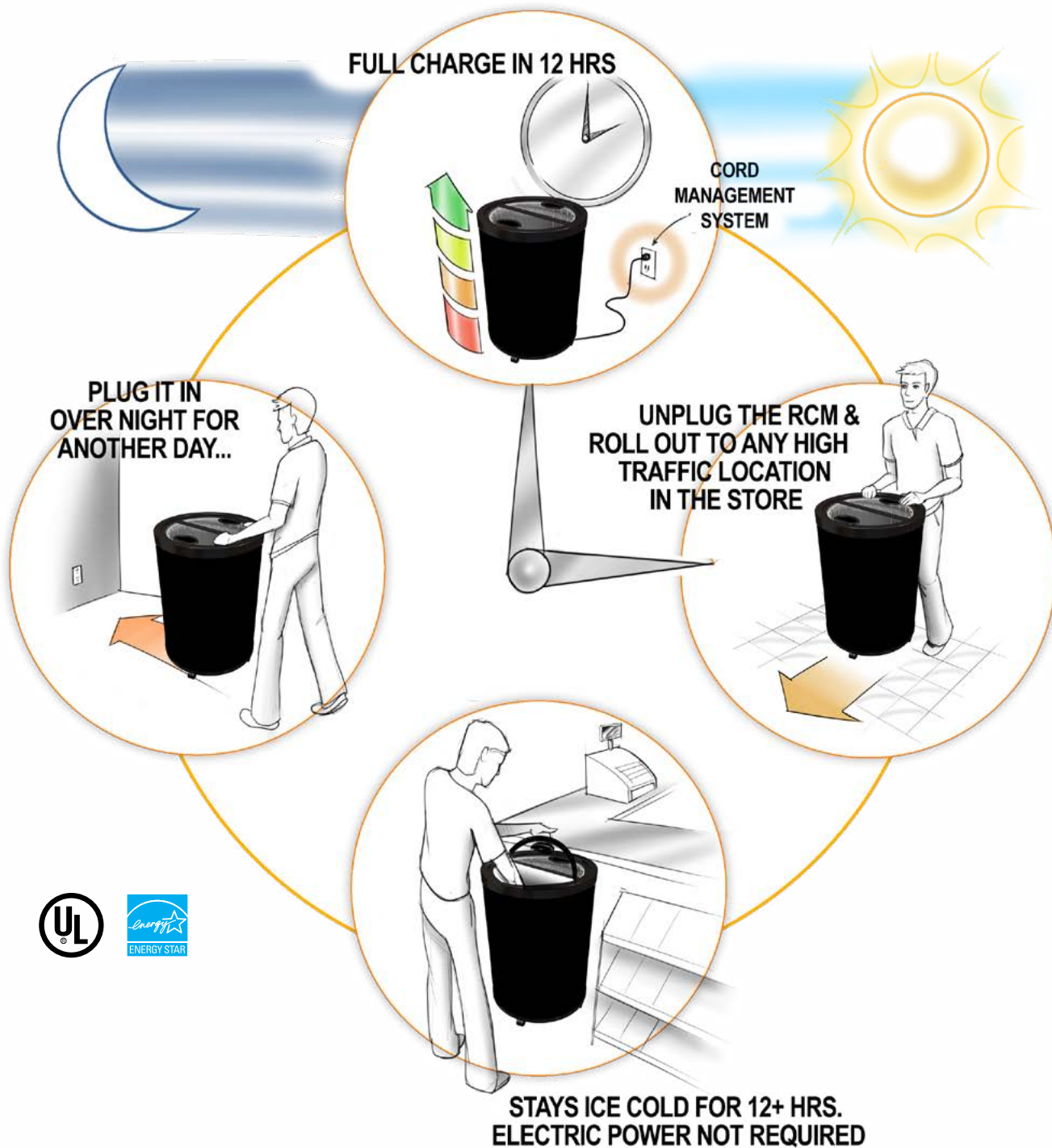
U.S. Patent Nos. 8,215,125 and 9,038,412

RCM-77



RECHARGE COLD MERCHANDISER

G-Series Coolers



8825 Boston Place, Rancho Cucamonga CA 91730 | Toll: 877.307.2665 | Office: 909.447.8254 | Fax: 909.305.8756 | www.idw.global

The specifications contained herein are for illustrative marketing purposes only and are not intended to be relied upon in whole or in part. All creative works are the sole property of IDW, Inc. Any reproduction in part or as a whole without written permission from IDW, Inc. is prohibited.