

GS-1.5

COUNTERTOP COOLER

G-Series Coolers

FEATURES

- Exterior Dimensions (WDH): 368 x 403 x 546 mm
- Internal Volume: 27 L
- Dynamic LED Lighting In Door Provides Enhanced Product Illumination While Greatly Reducing Energy Consumption
- Forced Air Evaporator System For Fast Product Temperature Pull Down
- High Impact Side Panel Graphics
- High Density Environmentally Friendly Insulation
- 1 Fixed Powder-Coated Metal Shelf
- Double-Paneled, Low "E", Self-Closing Glass Door
- LED Interior Lighting
- Durable Pre-Painted Steel Cabinet and Heavy Duty Inner Liner
- Adjustable Temperature Control
- 9' Heavy Duty Power Cord

CERTIFICATIONS

220v

- ROHS
- EMC
- SAA, MEPS Compliant (Australia)
- C-Tick (Australia)
- CB Scheme



High Visibility LED
Illuminated Logo
in Door



GS-1.5

COUNTERTOP COOLER

G-Series Coolers

TECH SPECS

Refrigerant	R134a
Amps	1
Volts/Hz	220-240V/50Hz
Compressor HP	1/8

SHIPPING SPECS

Gross Weight	57 lbs/26 kg
Net Weight	53 lbs/24 kg
Carton Dims (WDH)	19x470x571.5mm
Units per Pallet	18
Shipping Options:	
Pallet Loaded	20' ~ 180 40'HQ ~ 500

DIMENSIONS

Exterior (WDH): 368 x 403 x 546 mm

Interior (WDH): 289 x 241 x 429 mm

Shelf (WD): 276 x 209.5 mm

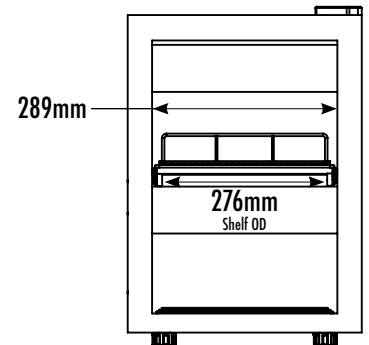
Internal Volume: 27 L




EXTERIOR DIMENSIONS



INTERIOR DIMENSIONS



PACKOUT CAPACITIES

	Facings	Deep	Total Capacity	Total Rows
	1 Shelf	4 x 3	= 20	2
	Base	4 x 2		

