

G1/GS-1

COUNTERTOP COOLER

G-Series Coolers

FEATURES

- Exterior Dimensions (WDH): 14.125" x 16" x 19.75"
- Internal Volume: 0.83ft³
- Dynamic LED Lighting In Door Provides Enhanced Product Illumination While Greatly Reducing Energy Consumption
- Forced Air Evaporator System For Fast Product Temperature Pull Down
- High Impact Side Panel Graphics
- High Density Environmentally Friendly Insulation
- Utilizes Climate-Friendly Natural Refrigerant
- 1 Fixed Powder-Coated Metal Shelf
- Double-Paneled, Low "E", Self-Closing Glass Door
- LED Interior Lighting
- Durable Pre-Painted Steel Cabinet and Heavy Duty Inner Liner
- Adjustable Temperature Control
- 9' Heavy Duty Power Cord

CERTIFICATIONS

110v

- UL471
- NSF-7, Type 2 Display Refrigerator
- ENERGY STAR® Qualified



Available with
High Visibility LED
Illuminated Logo
in Door



G1/GS-1

COUNTERTOP COOLER

G-Series Coolers

TECH SPECS

Refrigerant	R600a	R134a
Amps	2	2
Volts/Hz	110-120V/60Hz	110-120V/60Hz
Compressor HP	1/10	1/10

SHIPPING SPECS

Gross Weight	50 lbs
Net Weight	45 lbs
Carton Dims (WDH)	16"x17.75"x20.25"
Units per Pallet	18
Shipping Options:	
Floor Loaded	20' ~ 280
40'HQ	~ 725
53'	~ 468

DIMENSIONS


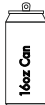
Exterior: 14.125"W x 16"D x 19.75"H

Interior: 10.875"W x 9.625"D x 14.875"H

Shelf: 10.625"W x 7.75"D inches m

Internal Volume: 0.83 ft³

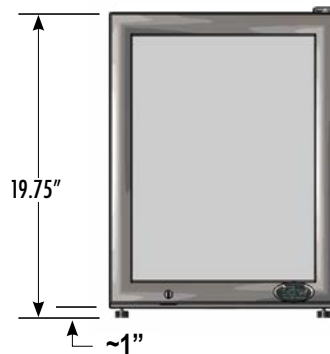
PACKOUT CAPACITIES

	Facings	Deep	Total Capacity	Total Rows
	1 Shelf	4 x 3	= 20	2
	Base	4 x 2		
	1 Shelf	4 x 3	= 20	2
	Base	4 x 2		



Available with High Visibility LED Illuminated Logo in Door

EXTERIOR DIMENSIONS



INTERIOR DIMENSIONS

