

G-26c/GCG-26c

UPRIGHT COOLER

G-Series Coolers

FEATURES

- Exterior Dimensions (WDH): 30" x 30.5" x 78.375"
- Internal Volume: 23 ft³
- Dynamic LED Lighting In Door Provides Enhanced Product Illumination While Greatly Reducing Energy Consumption
- Forced Air Refrigeration System For Fast Product Temperature Pull Down
- High Impact Side Panel Graphics & LED Illuminated Canopy
- High Density Environmentally Friendly Insulation
- Utilizes Climate-Friendly Natural Refrigerant
- 5 Fully Adjustable Powder-Coated Metal Shelves
- Double-paned, Low "E", Self-Closing Glass Door
- LED Interior Lighting
- Durable Pre-Painted Steel Cabinet and Heavy Duty Inner Liner
- Adjustable Temperature Control
- 9' Heavy Duty Power Cord

CERTIFICATIONS

110v

- UL471
- NSF-7, Type 2 Display Refrigerator
- ENERGY STAR[®] Qualified



Available with
High Visibility LED
Illuminated Logo
in Door



8825 Boston Place, Rancho Cucamonga CA 91730 | Toll: 877.307.2665 | Office: 909.447.8254 | Fax: 909.305.8756 | www.idw.global

The specifications contained herein are for illustrative marketing purposes only and are not intended to be relied upon in whole or in part. All creative works are the sole property of IDW, Inc. Any reproduction in part or as a whole without written permission from IDW, Inc. is prohibited.

G-26c/GCG-26c

UPRIGHT COOLER

G-Series Coolers

TECH SPECS

| | |
|---------------|---------------|
| Refrigerant | R290 |
| Amps | 2.7 |
| Volts/Hz | 110-120V/60Hz |
| Compressor HP | 1/3 |




SHIPPING SPECS

| | |
|-------------------|------------------------------------|
| Gross Weight | 319 lbs |
| Net Weight | 278 lbs |
| Carton Dims (WDH) | 30.375"x30.77"x83.625" |
| Units per Pallet | 1 |
| Shipping Options: | |
| Floor Loaded | 20' ~ 21 40'HQ ~ 45 53' ~ 60 |

DIMENSIONS

Exterior: 30"W x 30.5"D x 78.375"H
 Interior: 26.5"W x 25.125"D x 51.5"H
 Shelf: 25.5"W x 22.625"D
 Internal Volume: 23 ft³

PACKOUT CAPACITIES

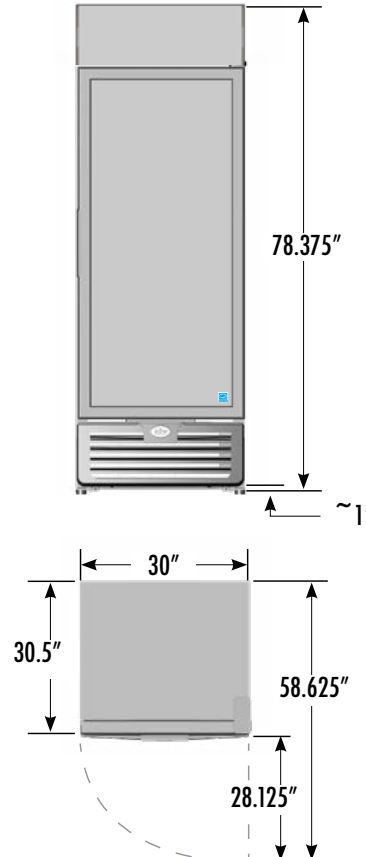
| | Facings | Deep | Total Capacity | Total Rows |
|--|-----------|--------|----------------|------------|
|  | 7 Shelves | 10 x 8 | = 650* | 8 |
| | Base | 10 x 9 | | |
|  | 6 Shelves | 10 x 8 | = 570* | 7 |
| | Base | 10 x 9 | | |
|  | 4 Shelves | 9 x 8 | = 360** | 5 |
| | Base | 9 x 8 | | |

* Additional shelves, beyond what is supplied with the cooler, may be required to achieve this maximum pack-out.
 ** 20oz pack-outs may vary depending on package size.



Available with High Visibility LED Illuminated Logo in Door

EXTERIOR DIMENSIONS



INTERIOR DIMENSIONS

