

# GS-2.5

## COUNTERTOP COOLER

G-Series Coolers

### FEATURES

- Exterior Dimensions: 18.25"W x 20.8"D x 27.75"H
- Internal Volume: 2.45 ft<sup>3</sup> / 69.37 L
- Dynamic LED Lighting In Door Provides Enhanced Product Illumination While Greatly Reducing Energy Consumption
- Forced Air Refrigeration System For Fast Product Temperature Pull Down
- High Impact Side Panel Graphics
- High Density Environmentally Friendly Insulation
- Utilizes Climate-Friendly Natural Refrigerant
- 1 Adjustable Powder-Coated Metal Shelves
- Double-paned, Low "E", Self-Closing Glass Door
- LED Interior Lighting
- Durable Pre-Painted Steel Cabinet and Heavy Duty Inner Liner
- Adjustable Temperature Control
- 9' Heavy Duty Power Cord

### CERTIFICATIONS

#### 110v

- UL471
- NSF-7, Type 2 Display Refrigerator
- ENERGY STAR<sup>®</sup> Qualified



High Visibility  
Animated LED  
Illuminated Logo in  
Door. Not certified  
for 220V



8825 Boston Place, Rancho Cucamonga CA 91730 | Toll: 877.307.2665 | Office: 909.447.8254 | Fax: 909.305.8756 | [www.idw.global](http://www.idw.global)

The specifications contained herein are for illustrative marketing purposes only and are not intended to be relied upon in whole or in part. All creative works are the sole property of IDW, Inc. Any reproduction in part or as a whole without written permission from IDW, Inc. is prohibited.

## TECH SPECS

Refrigerant	R600a	R134a
Amps	2.0A	2.0A
Volts/Hz	110-120V/60Hz	110-120V/60Hz
Compressor HP	1/6	1/6

# GS-2.5

## COUNTERTOP COOLER

### G-Series Coolers

## SHIPPING SPECS

Gross Weight	80 lbs/36.28 kg
Net Weight	76 lbs/34.47 kg
Carton Dims (WDH)	20.13"x21.63"x28.5"/511x549x724mm
Units per Pallet	12
Shipping Options:	
Floor Loaded	20' ~ 132 40'HQ ~ 276
Pallet Loaded	20' ~ 88 40'HQ ~ 276 53' ~ 312

## DIMENSIONS

Exterior: 18.25"W x 21.75"D x 27.75"H inches / 465 x 552 x 705 mm

Interior: 15.13"W x 14.13"D x 23"H inches / 384 x 359 x 584 mm

Shelf: 14.25"W x 11"D inches / 362 x 279 mm

Internal Volume: 2.45 ft<sup>3</sup> / 69.37 L

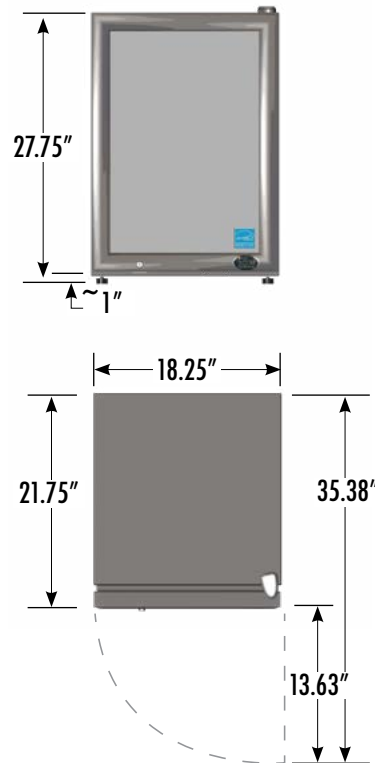
## PACKOUT CAPACITIES

	Facings	Deep	Total Capacity	Total Rows
	2 Shelves	5 x 4	= 55*	3
	Base	5 x 3		
	2 Shelves	5 x 4	= 55*	3
	Base	5 x 3		
	1 Shelf	5 x 4	= 35**	2
	Base	5 x 3		

\* Additional shelves, beyond what is supplied with the cooler, may be required to achieve this maximum pack-out.  
\*\* 20oz pack-outs may vary depending on package size.



EXTERIOR DIMENSIONS



INTERIOR DIMENSIONS

