

G-3/GS-3

COUNTERTOP COOLER

G-Series Coolers

FEATURES

- Exterior Dimensions (WDH): 463.5 x 502 x 883 mm
- Internal Volume: 98.5 L
- Dynamic LED Lighting In Door Provides Enhanced Product Illumination While Greatly Reducing Energy Consumption
- Forced Air Refrigeration System For Fast Product Temperature Pull Down
- High Impact Side Panel Graphics
- High Density Environmentally Friendly Insulation
- Utilizes Climate-Friendly Natural Refrigerant
- 2 Adjustable Powder-Coated Metal Shelves
- Double-Paneled, Low "E", Self-Closing Glass Door
- LED Interior Lighting
- Durable Pre-Painted Steel Cabinet and Heavy Duty Inner Liner
- Adjustable Temperature Control
- 9' Heavy Duty Power Cord

CERTIFICATIONS

220v

- ROHS
- EMC
- CB Scheme



Available with
High Visibility LED
Illuminated Logo
in Door



G-3/GS-3

COUNTERTOP COOLER

G-Series Coolers

TECH SPECS

| | |
|---------------|---------------|
| Refrigerant | R600a |
| Amps | .78A |
| Volts/Hz | 110-120V/60Hz |
| Compressor HP | 1/6 |

SHIPPING SPECS

| | |
|-------------------|-------------------------|
| Gross Weight | 46 kg |
| Net Weight | 42 kg |
| Carton Dims (WDH) | 508x571.5x946mm |
| Units per Pallet | 8 |
| Shipping Options: | |
| Pallet Loaded | 20' ~ 88 40'HQ ~ 184 |

DIMENSIONS

Exterior (WDH): 463.5 x 502 x 883 mm




Interior (WDH): 381 x 295 x 775 mm

Upper Shelf (WD): 362 x 279 mm

Lower Shelf (WD): 362 x 248 mm

Internal Volume: 98.5 L

PACKOUT CAPACITIES

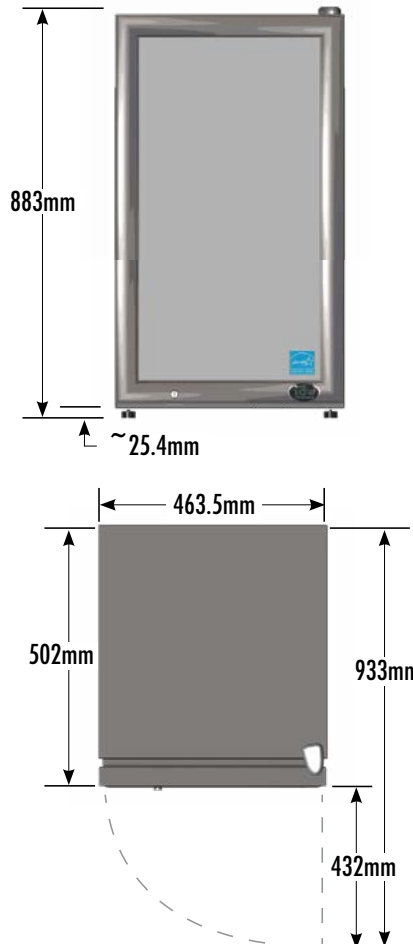
| | Shelves | Facings | Deep | Total Capacity | Total Rows |
|--|-----------|---------|------|----------------|------------|
|  | 3 Shelves | 5 | x 4 | = 75* | 4 |
| | Base | 5 | x 3 | | |
|  | 3 Shelves | 5 | x 4 | = 75* | 4 |
| | Base | 5 | x 3 | | |
|  | 2 Shelves | 5 | x 4 | = 55** | 3 |
| | Base | 5 | x 3 | | |

* Additional shelves, beyond what is supplied with the cooler, may be required to achieve this maximum pack-out.



Available with High Visibility LED Illuminated Logo in Door

EXTERIOR DIMENSIONS



INTERIOR DIMENSIONS

