

G1.5/GS-1.5

COUNTERTOP COOLER

G-Series Coolers

FEATURES

- Exterior Dimensions (WDH): 368 x 403 x 546 mm
- Internal Volume: 27 L
- Dynamic LED Lighting In Door Provides Enhanced Product Illumination While Greatly Reducing Energy Consumption
- Forced Air Evaporator System For Fast Product Temperature Pull Down
- High Impact Side Panel Graphics
- High Density Environmentally Friendly Insulation
- 1 Fixed Powder-Coated Metal Shelf
- Double-Paneled, Low "E", Self-Closing Glass Door
- LED Interior Lighting
- Durable Pre-Painted Steel Cabinet and Heavy Duty Inner Liner
- Adjustable Temperature Control
- 9' Heavy Duty Power Cord

CERTIFICATIONS

220v

- ROHS
- EMC
- SAA, MEPS Compliant (Australia)
- C-Tick (Australia)
- PSE (Japan)
- CB Scheme



Available with
High Visibility LED
Illuminated Logo
in Door



G1.5/GS-1.5

COUNTERTOP COOLER

G-Series Coolers

TECH SPECS

| | | |
|---------------|--------------|---------------|
| Refrigerant | R134a | R134a |
| Amps | 1.7 | 1 |
| Volts/Hz | 100V/50-60Hz | 220-240V/50Hz |
| Compressor HP | 1/10 | 1/8 |

SHIPPING SPECS

| | |
|-------------------|--------------------------|
| Gross Weight | 26 kg |
| Net Weight | 24 kg |
| Carton Dims (WDH) | 419x470x571.5mm |
| Units per Pallet | 18 |
| Shipping Options: | |
| Pallet Loaded | 20' ~ 180 40'HQ ~ 500 |

DIMENSIONS

Exterior (WDH): 368 x 403 x 546 mm

Interior (WDH): 289 x 241 x 429 mm

Shelf (WD): 276 x 209.5 mm

Internal Volume: 27 L

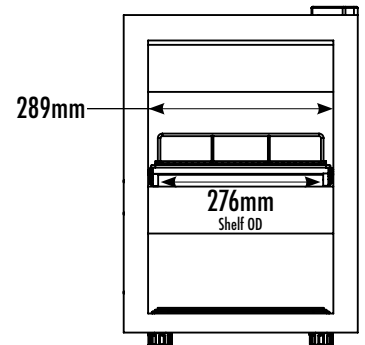


Available with High Visibility LED Illuminated Logo in Door

EXTERIOR DIMENSIONS



INTERIOR DIMENSIONS



PACKOUT CAPACITIES

| | Shelf | Facings | Deep | Total Capacity | Total Rows |
|--|---------|---------|------|----------------|------------|
| | 1 Shelf | 4 | x 3 | = 20 | 2 |
| | Base | 4 | x 2 | | |
| | 1 Shelf | 4 | x 3 | = 20 | 2 |
| | Base | 4 | x 2 | | |

