

G1

COUNTERTOP COOLER

G-Series Coolers

FEATURES

- Exterior Dimensions: 14.25"W x 16.5"D x 19"H
- High Visibility LED Illuminated Glass Door
- Forced Air Evaporator System For Fast Product Temperature Pull Down
- High Density Environmentally Friendly Insulation
- Energy Efficient Design
- 2 Fixed Powder-Coated Metal Shelves
- Double-Paneled, Self-Closing Glass Door with Lock
- Interior LED Lighting
- Durable Pre-Painted Steel Cabinet and Heavy Duty Inner Liner
- Adjustable Temperature Control
- 9' Heavy Duty Power Cord
- Available in Climate-friendly Natural Refrigerant
- CB Scheme
- Conforms to EMC
- CETL and ETL Listed
- Conforms to NSF-7 Display Level 2
- ENERGY STAR® 4 Qualified



8825 Boston Place, Rancho Cucamonga CA 91730 | Toll: 877.307.2665 | Office: 909.447.8254 | Fax: 909.305.8756 | www.idw.global

The specifications contained herein are for illustrative marketing purposes only and are not intended to be relied upon in whole or in part. All creative works are the sole property of IDW, Inc. Any reproduction in part or as a whole without written permission from IDW, Inc. is prohibited.

G1

COUNTERTOP COOLER

G-Series Coolers

TECH SPECS

Refrigerant	R134a	R134a	R600a
Amps	.7	.7	2
Volts/Hz	110-120V/60Hz	220-240V/50Hz	110-120V/60Hz
Compressor HP	1/10	1/10	1/10

SHIPPING SPECS

Gross Weight	54 lbs/24 kg
Net Weight	49 lbs/22 kg
Carton Dims (WDH)	16" x 18.2" x 20.5" / 406 x 462 x 521 mm
Units per Pallet	18
Shipping Loads	40' HQ ~ 580 53' ~ 468



EXTERIOR DIMENSIONS

(WDH)	14.25" x 16.5" x 19" inches
	362 x 419 x 483 mm

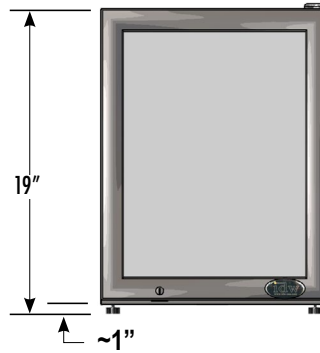
SHELF DIMENSIONS

(WD)	Upper: 10.25" x 7.75" inches
	Lower: 10.25" x 5" inches
	Upper: 260 x 197 mm
	Lower: 260 x 127 mm

PACKOUT CAPACITIES

	Facing	Depth	Shelves	Rows	Total Capacity
12OZ CAN	4	3	1	2	20
	4	2	1	2	20
16OZ CAN	4	3	1	2	20
	4	2	1	2	20

External Dimensions



Internal Dimensions

