

GS-1

COUNTERTOP COOLER

G-Series Coolers

FEATURES

- Exterior Dimensions: 14.25"W x 16.5"D x 19"H
- High Visibility LED Illuminated Glass Door
- Forced Air Evaporator System For Fast Product Temperature Pull Down
- High Density Environmentally Friendly Insulation
- Energy Efficient Design
- 2 Fixed Powder-Coated Metal Shelves
- Double-paned, Self-Closing Glass Door with Lock
- Interior LED Lighting
- Durable Pre-painted Steel Cabinet and Heavy Duty Inner Liner
- Adjustable Temperature Control
- 9' Heavy Duty Power Cord
- Available in Climate-friendly Natural Refrigerant
- CB Scheme
- Conforms to EMC
- CETL and ETL Listed
- Conforms to NSF-7
- ENERGY STAR® Qualified



GS-1

COUNTERTOP COOLER

G-Series Coolers

TECH SPECS

Refrigerant	R134a	R134a	R600a
Amps	.7	.7	2
Volts/Hz	110-120V/60Hz	220-240V/50Hz	110-120V/60Hz
Compressor HP	1/10	1/10	1/10

SHIPPING SPECS

Gross Weight	54 lbs/24 kg
Net Weight	49 lbs/22 kg
Carton Dims (WDH)	16" x 18.2" x 20.5" / 406 x 462 x 521 mm
Units per Pallet	18
Shipping Loads	40' HQ ~ 580 53' ~ 468



EXTERIOR DIMENSIONS

(WDH) $\frac{14.25'' \times 16.5'' \times 19'' \text{ inches}}{362 \times 419 \times 483 \text{ mm}}$

SHELF DIMENSIONS

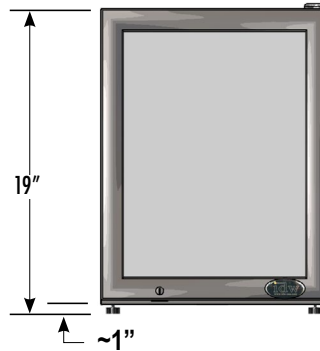
(WD) $\frac{\text{Upper: } 10.25'' \times 7.75'' \text{ inches}}{\text{Lower: } 10.25'' \times 5'' \text{ inches}}$

Upper: 260 x 197 mm
Lower: 260 x 127 mm

PACKOUT CAPACITIES

	Facing	Depth	Shelves	Rows	Total Capacity
12OZ CAN	4	3	1	2	20
	4	2	1	2	20
16OZ CAN	4	3	1	2	20
	4	2	1	2	20

External Dimensions



Internal Dimensions

