

# GS-2.5

## COUNTERTOP COOLER

G-Series Coolers

### FEATURES

- Exterior Dimensions: 18.5"W x 21"D x 27.5"H
- High Visibility LED Illuminated Glass Door
- Forced Air Evaporator System For Fast Product Temperature Pull Down
- High Density Environmentally Friendly Insulation
- 2 Adjustable Powder-Coated Metal Shelves
- Double-Paned, Self-Closing Glass Door with Lock
- Interior LED Lighting
- Durable Pre-Painted Steel Cabinet and Heavy Duty Inner Liner
- Adjustable Temperature Control
- 9' Heavy Duty Power Cord
- Available in Climate-friendly Natural Refrigerant
- CB Scheme
- Conforms to EMC
- CETL and ETL Listed
- UL Listed
- Conforms to NSF-7
- ENERGY STAR® Qualified



# GS-2.5

## COUNTERTOP COOLER

### G-Series Coolers

#### TECH SPECS

Refrigerant	R134a	R134a	R600a
Amps	2	2	2
Volts/Hz	110-120V/60Hz	220-240V/50Hz	110-120V/60Hz
Compressor HP	1/6	1/6	1/6

#### SHIPPING SPECS

Gross Weight	85 lbs/39 kg
Net Weight	81 lbs/37 kg
Carton Dims (WDH)	.20.25"x22.25"x29"/514x565x737mm
Units per Pallet	12
Shipping Loads	40'HQ ~ 276 53' ~ 312

#### EXTERIOR DIMENSIONS

(WDH)	18.5" x 21" x 27.5" inches
	470 x 533 x 699 mm

#### SHELF DIMENSIONS

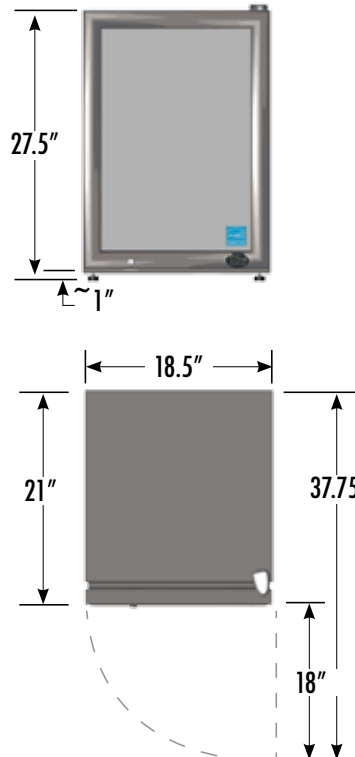
(WD)	15" x 12" inches
	381 x 305 mm

#### PACKOUT CAPACITIES

	Facing	Depth	Shelves	Rows	Total Capacity
12OZ CAN	5	4	2	3	55
	5	3	1		
16OZ CAN	5	4	2	3	55
	5	3	1		
20OZ PET	5	4	1	2	35
	5	3	1		



External Dimensions



Internal Dimensions

