

G-80L

ELECTRIC IMPULSE COOLER

G-Series Coolers



FEATURES

- Exterior Dimensions: 18"W x 20.25"D x 43.25"H
- Mobile Impulse Cooler Generates Incremental Sales in High Traffic Retail Locations
- High Visibility LED Illuminated Glass Lid
- Self Closing Glass Lid
- Efficient Refrigeration System For Fast Product Temperature Pull Down
- High Impact Billboard Graphics Are Interchangeable With No Tools Required
- 9' Heavy Duty Power Cord
- Heavy Duty Locking Casters
- High Density Environmentally Friendly Insulation
- Adjustable Temperature Control
- UL and CUL Certifications
- Conforms to NSF-7
- ENERGY STAR® Qualified



G-80L

ELECTRIC IMPULSE COOLER

G-Series Coolers

TECH SPECS

Refrigerant	R134a	R600a
Amps	1.0	1.4
Volts/Hz	110-120V/60Hz	110-120V/60Hz
Compressor HP	1/6	1/8

SHIPPING SPECS

Gross Weight	77 lbs/35 kg
Net Weight	66 lbs/30 kg
Carton Dims (WDH)	19"x21"x44" / 482x533x1117mm
Units per Pallet	12
Shipping Loads	40'HQ ~ 240 53' ~ 312

DIMENSIONS

External: 418"W x 20.25"D x 43.25"H inches / 457 x 514 x 1099 mm

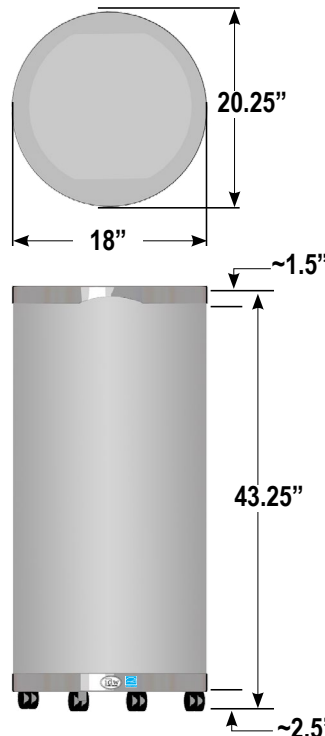
Basket: 14.17"D x 12.46"H inches / 360 x 316 mm

PACKOUT CAPACITIES

	Top Basket	Bottom Basket	Total Capacity
12OZ CAN	40	40	80
16OZ CAN	30	30	60
20OZ PET	20	20	40



External Dimensions



Basket Dimensions

