

G-77

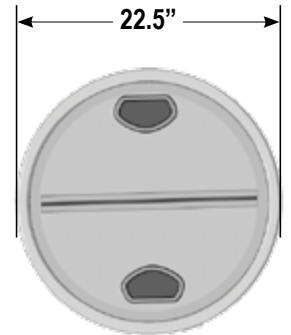
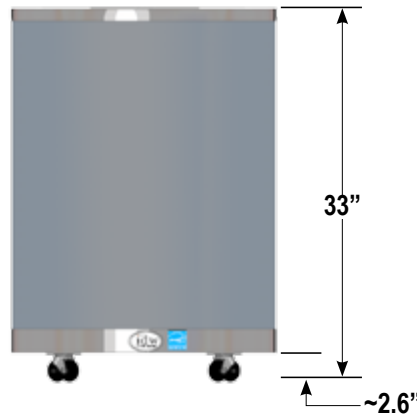
ELECTRIC IMPULSE COOLER



FEATURES

- Exterior Dimensions: 22.5"D x 33"H
- Mobile Impulse Cooler Generates Incremental Sales in High Traffic Retail Locations
- 360° Shoppability
- Split Acrylic Lid
- Efficient Refrigeration System For Fast Product Temperature Pull Down
- High Impact Billboard Graphics Are Interchangeable With No Tools Required
- 9' Heavy Duty Power Cord
- Heavy Duty Locking Casters
- High Density Environmentally Friendly Insulation
- Adjustable Temperature Control
- CE and RoHS Compliant
- UL and CUL Certifications
- Conforms to NSF-7
- ENERGY STAR® Qualified





EXTERIOR DIMENSIONS (DH)

22.5" x 33" inches

572 x 838 mm

BASKET DIMENSIONS (DH)

16.75" x 17.5" inches

426 x 445 mm

PACK-OUT CAPACITIES

	Total Capacity
12oz CAN	84
16oz CAN	58
20oz PET	45

TECH SPECS

	R134a	R134a	R600a
Refrigerant	R134a	R134a	R600a
Amps	1.8	1.0	1.3
Volts/Hz	110-120V/60Hz	220-240V/50Hz	110-120V/60Hz
Compressor HP	1/6	1/6	1/8

SHIPPING SPECS

Gross Weight	75 lbs/34 kg
Net Weight	64 lbs/29 kg
Carton Dims (WDH)	23" x 23" x 35" / 584 x 584 x 889 mm
Units per Pallet	8
Shipping Loads	40'HQ ~ 240 53' ~ 208

