

GCG-Baby

COUNTERTOP COOLER

G-Series Coolers

FEATURES

- Exterior Dimensions (WDH): 13.375" x 17.625" x 24.5"
- Internal Volume: 0.83 ft³
- Dynamic LED Lighting In Door Provides Enhanced Product Illumination While Greatly Reducing Energy Consumption
- Forced Air Refrigeration System For Fast Product Temperature Pull Down
- High Impact Side Panel Graphics
- High Density Environmentally Friendly Insulation
- Utilizes Climate-Friendly Natural Refrigerant
- 1 Fixed Powder-Coated Metal Shelves
- Double-Paneled, Low "E", Self-Closing Glass Door
- LED Interior Lighting
- Durable Pre-Painted Steel Cabinet and Heavy Duty Inner Liner
- Adjustable Temperature Control
- 9' Heavy Duty Power Cord

CERTIFICATIONS

110v

- CETL & ETL Listed
- NSF-7, Type 2 Display Refrigerator
- ENERGY STAR[®] Qualified



Available with
High Visibility LED
Illuminated Logo
in Door



8825 Boston Place, Rancho Cucamonga CA 91730 | Toll: 877.307.2665 | Office: 909.447.8254 | Fax: 909.305.8756 | www.idw.global

The specifications contained herein are for illustrative marketing purposes only and are not intended to be relied upon in whole or in part. All creative works are the sole property of IDW, Inc. Any reproduction in part or as a whole without written permission from IDW, Inc. is prohibited.

GCG-Baby

COUNTERTOP COOLER

G-Series Coolers

TECH SPECS

Refrigerant	R600a
Amps	.9
Volts/Hz	110-120V/60Hz
Compressor HP	1/10

SHIPPING SPECS

Gross Weight	55 lbs
Net Weight	51 lbs
Carton Dims (WDH)	15"x18.125"x26"
Units per Pallet	18
Shipping Options:	
Floor Loaded	20' ~ 225
	40'HQ ~ 620
	53' ~ 468

DIMENSIONS




Exterior: 13.375"W x 17.625"D x 24.5"H

Interior: 10"W x 9.25"D x 14.5"H

Shelves: 9.25"W x 8.125"D

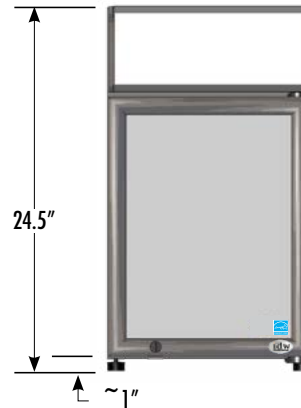
Internal Volume: 0.83 ft³

PACKOUT CAPACITIES

	Shelves	Facings	Deep	Total Capacity	Total Rows
	2 Shelves	3	x 3	= 18	2
 	2 Shelves	3	x 3	= 18	2



EXTERIOR DIMENSIONS



INTERIOR DIMENSIONS

