

RCM-77



RECHARGE COLD MERCHANDISER

G-Series Coolers



U.S. Patent Nos. 8,215,125 and 9,038,412

FEATURES

- Expand Your Cold Drink Availability, No Longer Are You Restricted by the Availability of Electric Power
- Unique Refrigeration System Designed for Use in Multiple Operating Environments Where Electricity is Not Available
- Designed to Maintain Ice Cold Beverage Temperatures for 12 Hours or More
- Tested to Meet the Most Stringent Performance Guidelines *
- Stimulate Impulse Sales in Any High Traffic Location:
 - Convenience Retail
 - Petroleum
 - Concessions/Stadium
 - Cafeteria
 - Special Events
 - Kiosks
- Heavy Duty Casters for Mobility and Flexibility of Placement at Retail
- Quick-Change Two Sided Graphic Panels
- 9' Cord with Cord Management System
- CFC-Free Insulation
- Meets IEC Standards
- Conforms to EMC
- UL Certification
- Conforms to NSF-7 Display Level 2
- ENERGY STAR® 4 Qualified

* RCM will maintain average 35-40° drink temperature in a 90 degree environment for 12 hours without power. Actual performance may vary depending on operating environment.



8825 Boston Place, Rancho Cucamonga CA 91730 | Toll: 877.307.2665 | Office: 909.447.8254 | Fax: 909.305.8756 | www.idw.global

The specifications contained herein are for illustrative marketing purposes only and are not intended to be relied upon in whole or in part. All creative works are the sole property of IDW, Inc. Any reproduction in part or as a whole without written permission from IDW, Inc. is prohibited.

RCM-77



RECHARGE COLD MERCHANDISER

G-Series Coolers

TECH SPECS

Refrigerant	R134a	R134a	R600a
Amps	1.8	1.8	1.3
Volts/Hz	110-120V/60Hz	220-240V/50Hz	110-120V/60Hz
Compressor HP	1/6	1/6	1/8

SHIPPING SPECS

Gross Weight	104 lbs/47 kg
Net Weight	93 lbs/42 kg
Carton Dims (WDH)	23"x23"x35"/584x584x889
Units per Pallet	8
Shipping Loads	40'HQ ~ 240 53' ~ 208



U.S. Patent Nos. 8,215,125 and 9,038,412

EXTERIOR DIMENSIONS

(DH)	22.5" x 32.75" inches
	572 x 832 mm

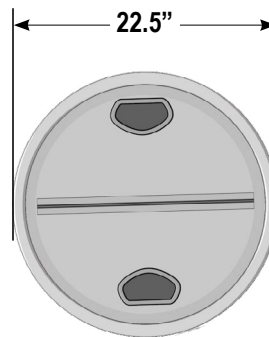
SHELF DIMENSIONS

(DH)	15.25" x 17.75" inches
	387 x 451 mm

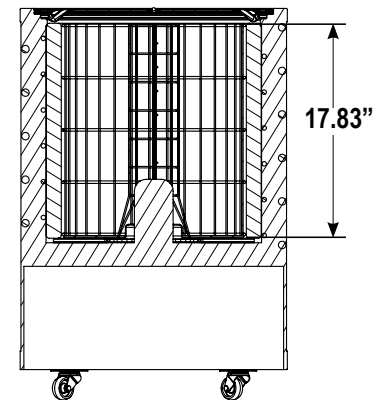
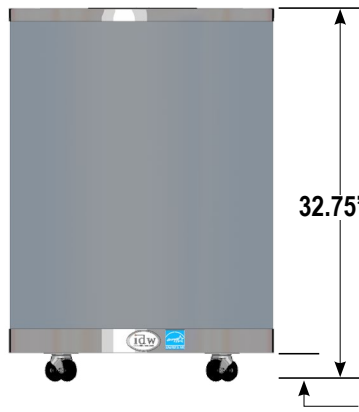
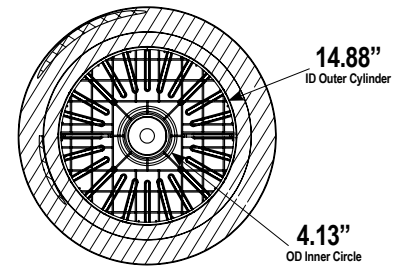
PACKOUT CAPACITIES

	Total Capacity
12OZ CAN	64
16OZ CAN	44
20OZ PET	34

External Dimensions



Internal Dimensions



* For best performance allow 24 hours for initial charge and load with prechilled products.

** RCM will maintain average 35-40° drink temperature in a 90 degree environment for 12 hours without power. Actual performance may vary depending on operating environment.

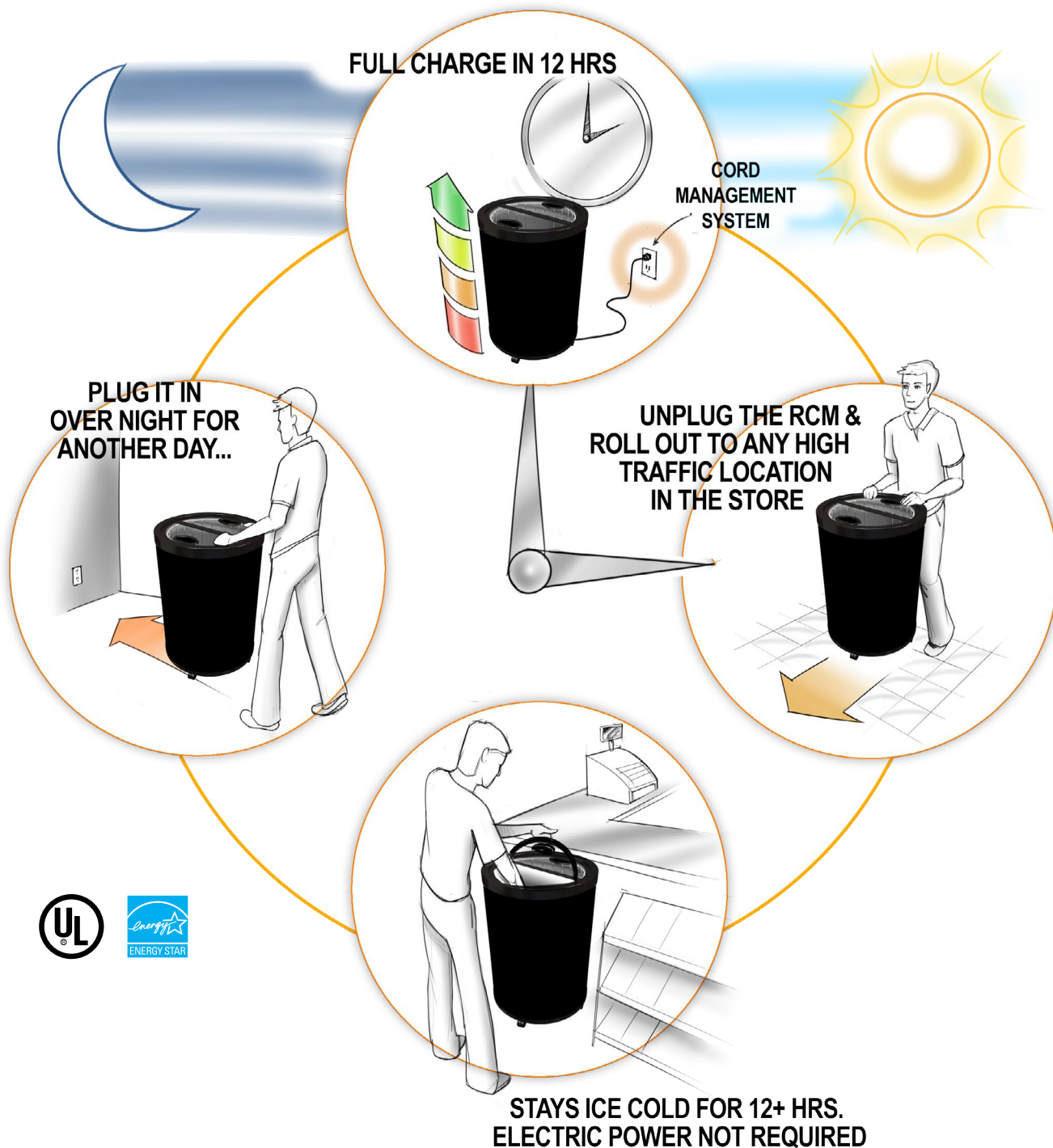
U.S. Patent Nos. 8,215,125 and 9,038,412

RCM-77



RECHARGE COLD MERCHANDISER

G-Series Coolers



8825 Boston Place, Rancho Cucamonga CA 91730 | Toll: 877.307.2665 | Office: 909.447.8254 | Fax: 909.305.8756 | www.idw.global

The specifications contained herein are for illustrative marketing purposes only and are not intended to be relied upon in whole or in part. All creative works are the sole property of IDW, Inc. Any reproduction in part or as a whole without written permission from IDW, Inc. is prohibited.