

RECHARGE COLD MERCHANDISER

G-Series Coolers



U.S. Patent Nos. 8,215,125 and 9,038,412

FEATURES

- Expand Your Cold Drink Availability, No Longer Are You Restricted by the Availability of Electric Power
- Unique Refrigeration System Designed for Use in Multiple Operating Environments Where Electricity is Not Available
- Designed to Maintain Ice Cold Beverage Temperatures for 12 Hours or More
- Tested to Meet the Most Stringent Performance Guidelines *
- Stimulate Impulse Sales in Any High Traffic Location:
 - Convenience Retail
 - Petroleum
 - Concessions/Stadium
 - Cafeteria
 - Special Events
 - Kiosks
- Heavy Duty Casters for Mobility and Flexibility of Placement at Retail
- Quick-Change Two Sided Graphic Panels
- 9' Cord with Cord Management System
- CFC-Free Insulation
- Meets IEC Standards
- Conforms to EMC
- UL Certification
- Conforms to NSF-7
- ENERGY STAR® Qualified

* RCM will maintain average 35-40° drink temperature in a 90 degree environment for 12 hours without power. Actual performance may vary depending on operating environment.



RECHARGE COLD MERCHANDISER

G-Series Coolers

TECH SPECS

| | | | |
|---------------|---------------|---------------|---------------|
| Refrigerant | R134a | R134a | R600a |
| Amps | 1.88 | 1.88 | 1.16 |
| Volts/Hz | 110-120V/60Hz | 220-240V/50Hz | 110-120V/60Hz |
| Compressor HP | 1/6 | 1/6 | 1/8 |

SHIPPING SPECS

| | |
|-------------------|----------------------------|
| Gross Weight | 128 lbs/58 kg |
| Net Weight | 115 lbs/42 kg |
| Carton Dims (WDH) | 26"x26"x41"/660x660x1041mm |
| Units per Pallet | 4 |
| Shipping Loads | 40'HQ ~ 102 53' ~ 132 |

EXTERIOR DIMENSIONS

| | |
|------|--------------------|
| (DH) | 24.5" x 38" inches |
| | 622 x 965 mm |

SHELF DIMENSIONS

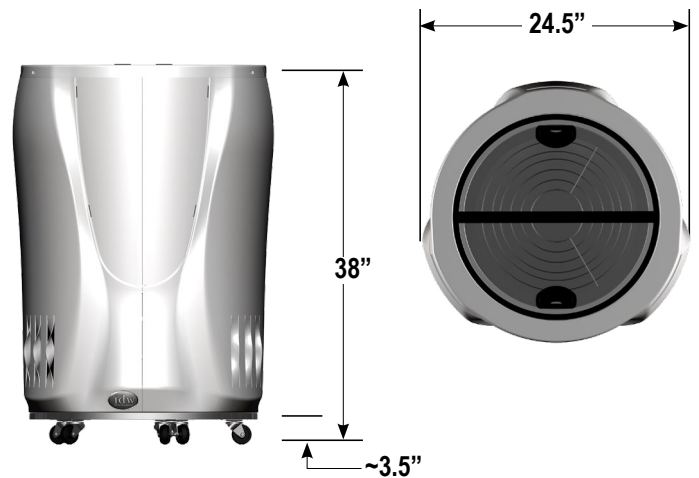
| | |
|------|------------------------|
| (DH) | 15.25" x 17.75" inches |
| | 387 x 451 mm |

PACKOUT CAPACITIES

| | Total Capacity |
|----------|----------------|
| 12OZ CAN | 64 |
| 16OZ CAN | 44 |
| 20OZ PET | 34 |



U.S. Patent Nos. 8,215,125 and 9,038,412



* For best performance allow 24 hours for initial charge and load with prechilled products.

** RCM will maintain average 35-40° drink temperature in a 90 degree environment for 12 hours without power. Actual performance may vary depending on operating environment.

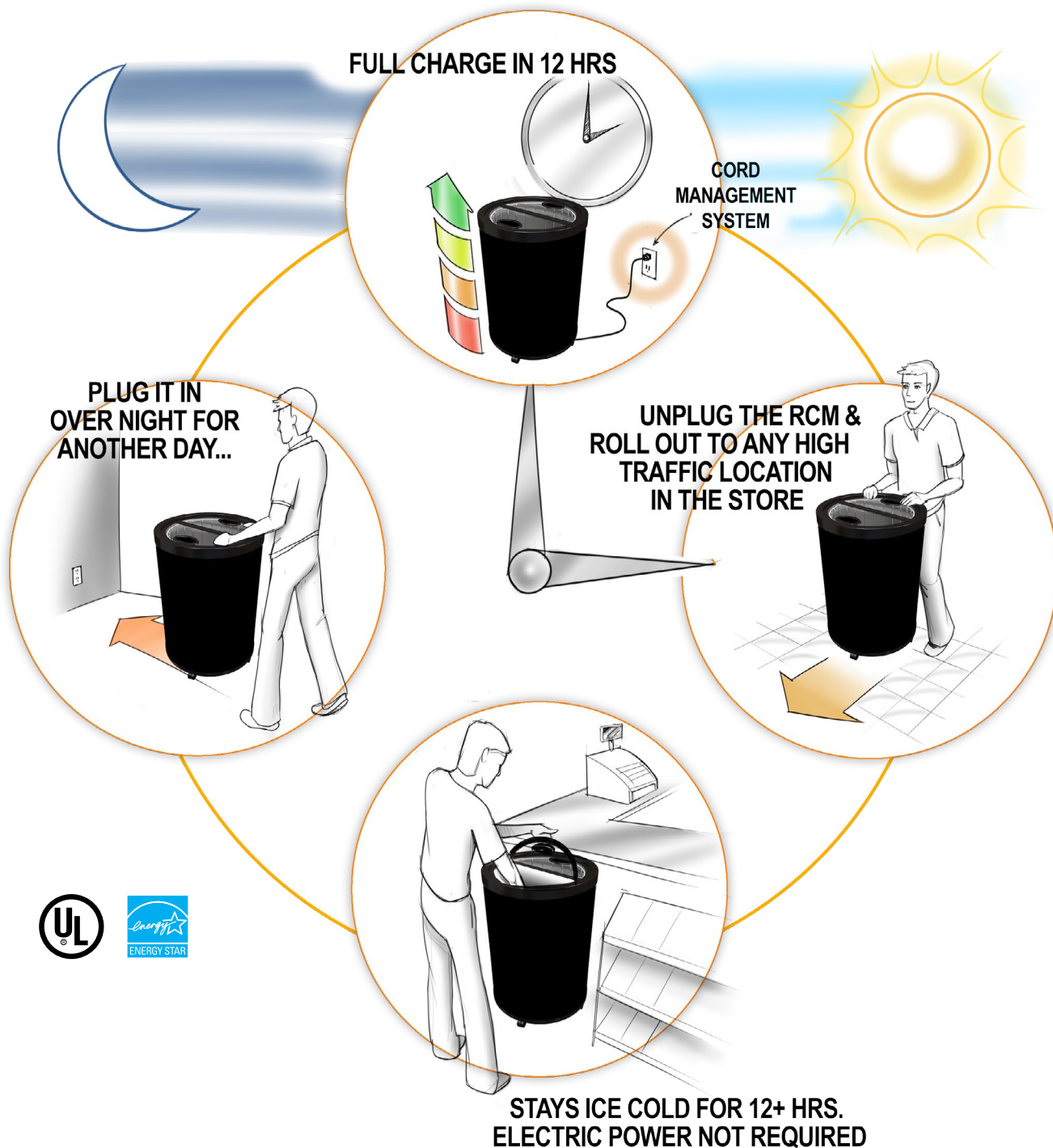
U.S. Patent Nos. 8,215,125 and 9,038,412

RCM-77



RECHARGE COLD MERCHANDISER

G-Series Coolers



8825 Boston Place, Rancho Cucamonga CA 91730 | Toll: 877.307.2665 | Office: 909.447.8254 | Fax: 909.305.8756 | www.idw.global

The specifications contained herein are for illustrative marketing purposes only and are not intended to be relied upon in whole or in part. All creative works are the sole property of IDW, Inc. Any reproduction in part or as a whole without written permission from IDW, Inc. is prohibited.