

GS-2.5

COUNTERTOP COOLER

G-Series Coolers

FEATURES

- Exterior Dimensions (WDH): 463 x 514 x 705 mm
- Internal Volume: 69.37 L
- Dynamic LED Lighting In Door Provides Enhanced Product Illumination While Greatly Reducing Energy Consumption
- Forced Air Refrigeration System For Fast Product Temperature Pull Down
- High Impact Side Panel Graphics
- High Density Environmentally Friendly Insulation
- Utilizes Climate-Friendly Natural Refrigerant
- 1 Adjustable Powder-Coated Metal Shelves
- Double-paned, Low "E", Self-Closing Glass Door
- LED Interior Lighting
- Durable Pre-painted Steel Cabinet and Heavy Duty Inner Liner
- Adjustable Temperature Control
- 9' Heavy Duty Power Cord

CERTIFICATIONS

220v

- ROHS
- EMC (GS2.5, R134a)
- CB Scheme (GS2.5, R134a)



High Visibility LED
Illuminated Logo
in Door



GS-2.5

COUNTERTOP COOLER

G-Series Coolers

TECH SPECS

| | | |
|---------------|---------------|---------------|
| Refrigerant | R600a | R134a |
| Amps | .4A | .9A |
| Volts/Hz | 220-240V/50Hz | 220-240V/50Hz |
| Compressor HP | 1/6 | 1/10 |

SHIPPING SPECS

| | |
|------------------------|---------------|
| Gross Weight | 38 kg |
| Net Weight | 35 kg |
| Carton Dims (WDH)..... | 515x564x750mm |
| Units per Pallet | 12 |
| Shipping Options: | |
| Pallet Loaded..... | 20' ~ 88 |
| | 40'HQ ~ 276 |

DIMENSIONS

Exterior (WDH): 463 x 514 x 705 mm
 Interior (WDH): 384 x 305 x 584 mm
 Shelf (WD): 362 x 286 mm
 Internal Volume: 69.37 L

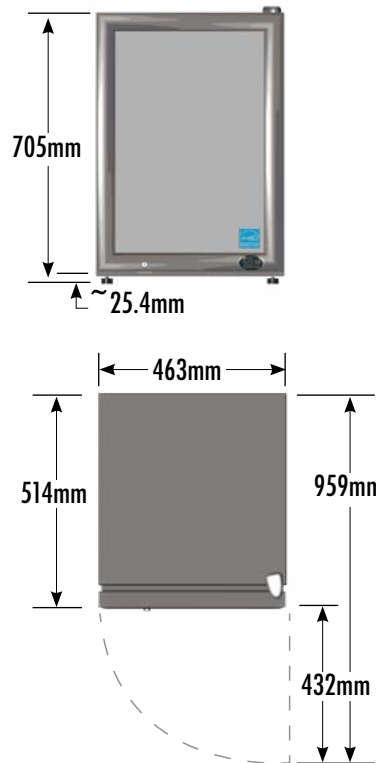
PACKOUT CAPACITIES

| | Facings | Deep | Total Capacity | Total Rows |
|------------------------------------------------------------------------------------|-----------|-------|----------------|------------|
|  | 2 Shelves | 5 x 4 | = 55* | 3 |
| | Base | 5 x 3 | | |
|  | 1 Shelf | 5 x 4 | = 35 | 2 |
| | Base | 5 x 3 | | |

* Additional shelves, beyond what is supplied with the cooler, may be required to achieve this maximum pack-out.



EXTERIOR DIMENSIONS



INTERIOR DIMENSIONS

