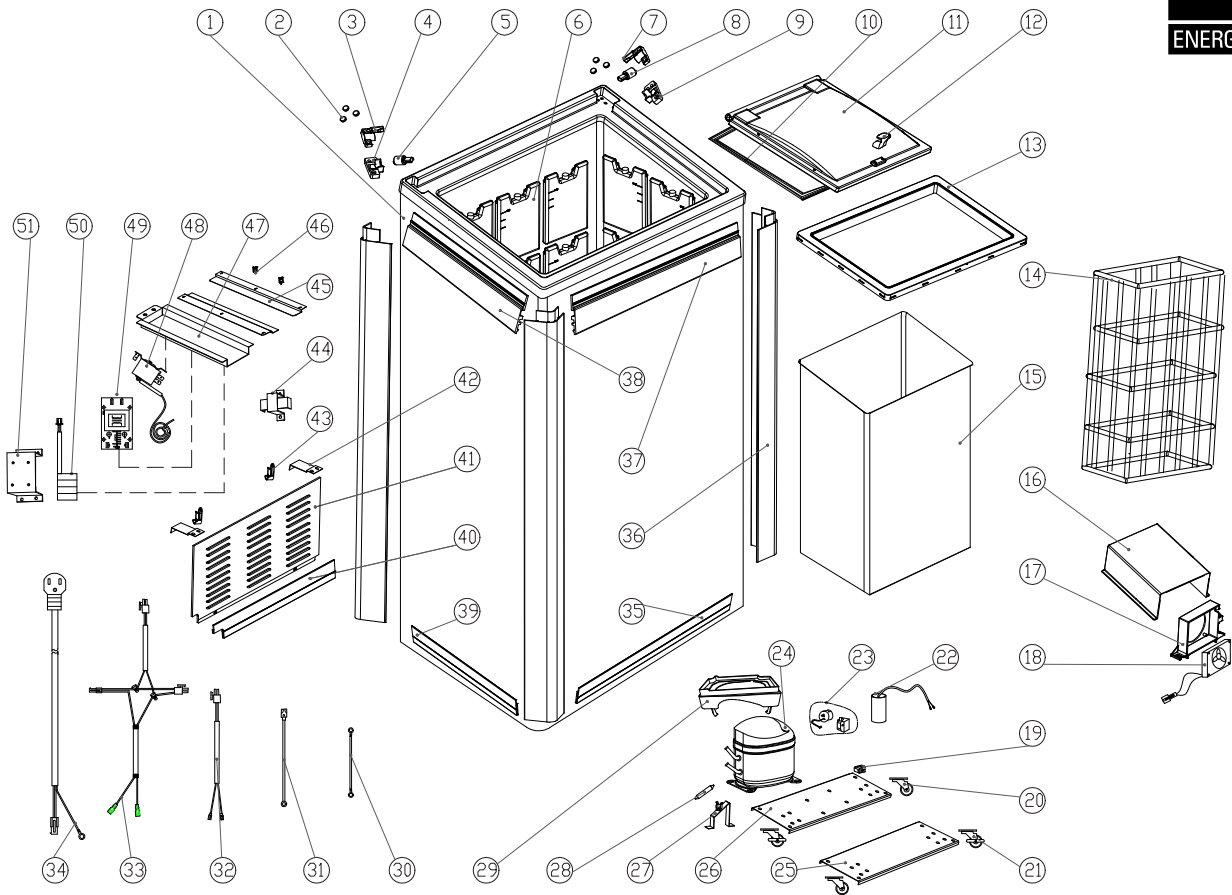


PARTS & IDENTIFICATION



- | | | | |
|------------------------------|--|--------------------------------------|-------------------------------|
| 1. Cooler Cabinet | 14. Basket | 27. Holder Assembly for Filter Drier | 40. Bottom Back Graphic Strip |
| 2. Hinge Cover Cap (6) | 15. Inner Liner | 28. Filter Drier | 41. Compressor Room Cover |
| 3. Dampener Box Left Upper | 16. Baffle of Evaporator Fan | 29. Drip Pan & Cover | 42. Cover Supporter (2) |
| 4. Dampener Box Left Bottom | 17. Evaporator Fan Support | 30. Ground Wire 1 | 43. Power Cord Holder (2) |
| 5. Dampener Left | 18. Evaporator Fan | 31. Ground Wire 2 | 44. Battery Box Support |
| 6. Coolant Box (30) | 19. Line Retaining Clip | 32. Compressor Connecting Wire | 45. Rail Supporter (2) |
| 7. Dampener Box Right Upper | 20. Caster (2) | 33. Thermostat Connecting Wire | 46. Wire Retaining Clip (4) |
| 8. Dampener Right | 21. Caster with Lock (2) | 34. Power Cord | 47. Fixing Plate |
| 9. Dampener Box Right Bottom | 22. Capacitor | 35. Bottom Front Graphic Strip | 48. Thermostat |
| 10. Door Gasket | 23. Overload Protector & Starter Relay | 36. Corner Graphic Strips (4) | 49. Control Board |
| 11. Glass Door | 24. Compressor | 37. Top Magnet Strips Front/Back (2) | 50. Storage Battery |
| 12. Handle | 25. Front Bottom Baffle | 38. Top magnet Strips Sides (2) | 51. Support Frame |
| 13. Rim | 26. Compressor Base | 39. Bottom Side Graphic Strip (2) | |