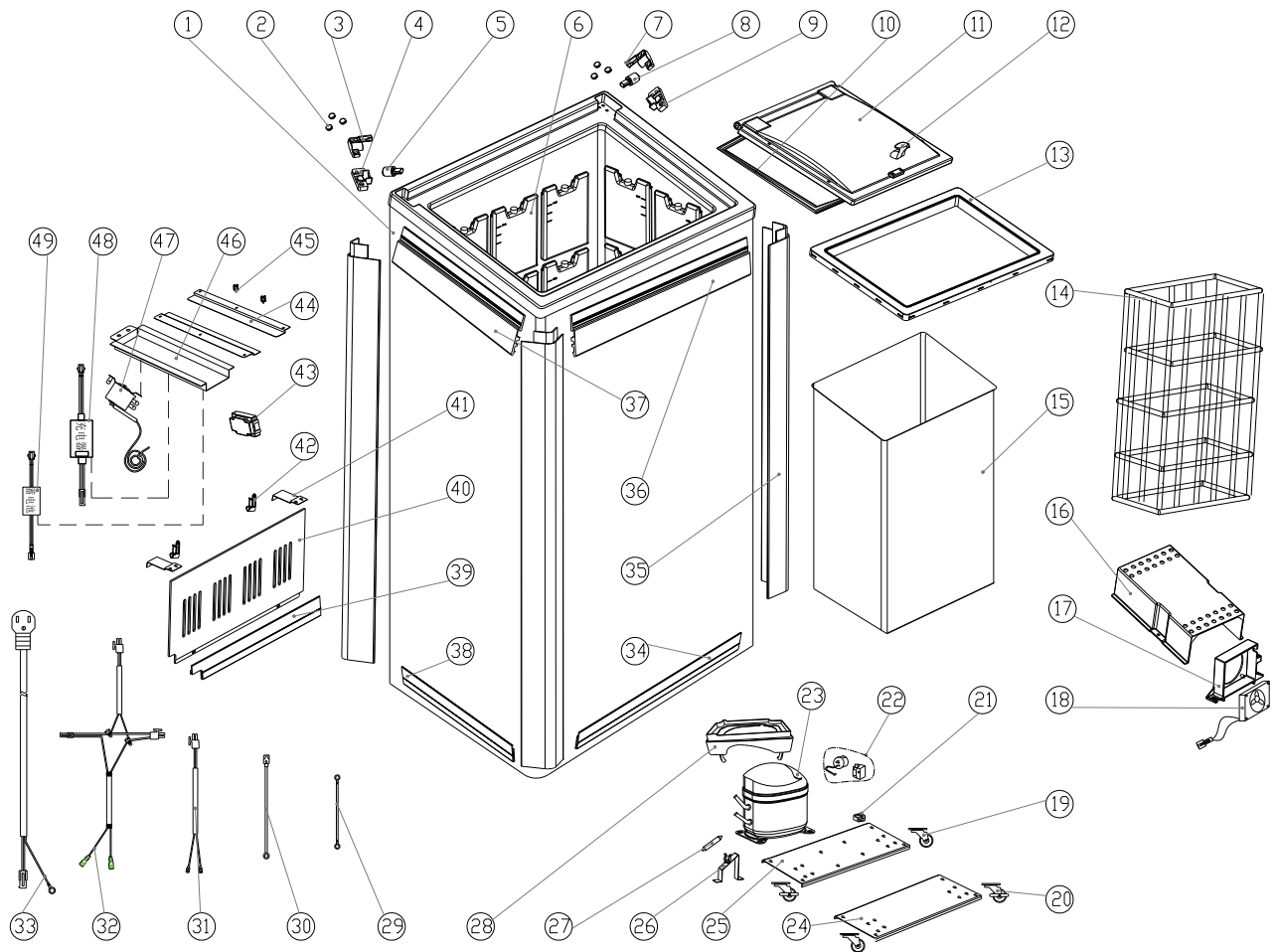


PARTS & IDENTIFICATION



- | | | | |
|-------------------------------|-----------------------------------|--------------------------------------|-------------------------------------|
| 1. Cabinet | 14. Basket | 27. Dryer Filter | 40. Compressor Room Cover |
| 2. Hinge Cover (6) | 15. Cooling Inner | 28. Drip Pan /Cover | 41. Cover Supporter |
| 3. Damping Box (left upper) | 16. Baffle of Inner Fan | 29. Ground Wire -1 | 42. Power Cord Holder |
| 4. Damping Box (left bottom) | 17. Inner Fan Supporter | 30. Ground Wire -2 | 43. Battery Box |
| 5. Damping (left) | 18. Evaporator Fan | 31. Compressor Connection Wire | 44. Rail Supporter |
| 6. Coolant Box (30) | 19. Castor (universal) (2) | 32. Thermostat Connection Wire | 45. Wires Retaining Clip |
| 7. Damping Box (right upper) | 20. Castor (universal, brake) (2) | 33. Power Cord | 46. Fixing Plate |
| 8. Damping (right) | 21. Retaining Clip of Line | 34. Bottom Plastic Strip (front) | 47. Constant Temperature Thermostat |
| 9. Damping Box (right bottom) | 22. Compressor Accessories | 35. Plastic Strips for Side Graphics | 48. Recharger |
| 10. Door Gasket | 23. Compressor | 36. Magnet Strips (front/back) | 49. Battery |
| 11. Lid | 24. Front Bottom Baffle | 37. Magnet Strips (sides) | |
| 12. Handle | 25. Compressor Base | 38. Bottom Plastic Strip (sides) | |
| 13. Rim | 26. Dryer Filter Supporter | 39. Bottom Plastic Strip (back) | |