



**\*\*PATENT PENDING\*\***

Manual is for the  
following models:  
RCM-2-N23EB

**Manual is for the following models:  
RCM-2-N23EB**

Instruction Manual



## FOR YOUR FUTURE REFERENCE

- This easy-to-use manual will guide you in getting the best use of your cooler.
- Remember to record the model number and the serial number. This information can be found on the inside of your cooler.
- Keep your receipt with this manual for future warranty service.

Model #: \_\_\_\_\_

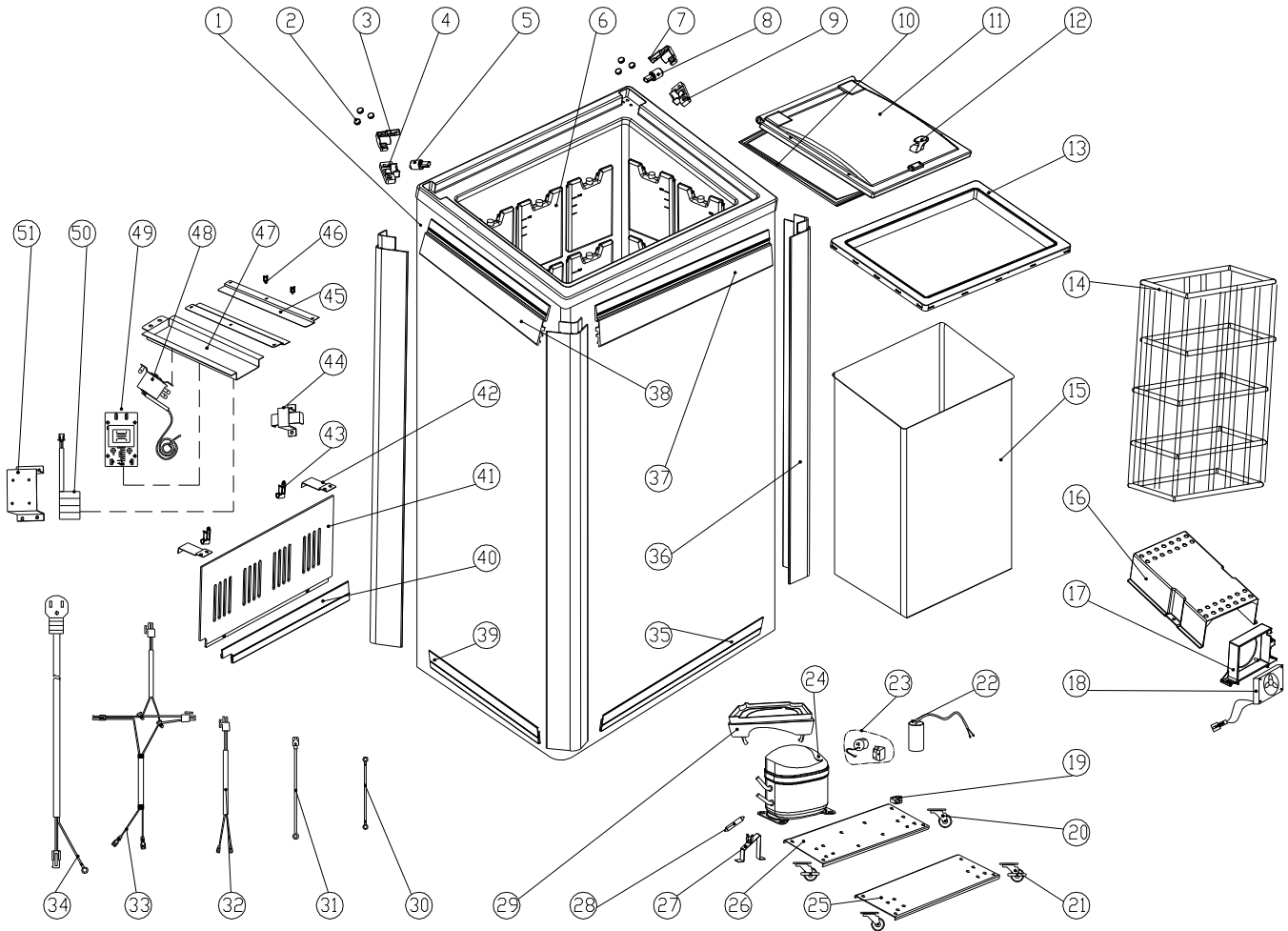
Serial #: \_\_\_\_\_

Date of Purchase: \_\_\_\_\_

## TABLE OF CONTENTS

Parts and Identification .....	2
Safety Instructions.....	3
Preparation.....	4
Location .....	5
Installation and Operation.....	5
Rechargeable Battery Instructions.....	5
Beverage Storage.....	6
Maintenance .....	6
Changing Graphics.....	7
Cleaning .....	8
Flammable R600a Warnings .....	8
Troubleshooting .....	9
Circuit Diagram.....	10

## PARTS & IDENTIFICATION



- |                             |  |                                      |                               |
|-----------------------------|--|--------------------------------------|-------------------------------|
| 1. Cooler Cabinet           | 14. Basket                             | 27. Holder Assembly for Filter Drier | 40. Bottom Back Graphic Strip |
| 2. Hinge Cover Cap (6)      | 15. Cooling Condenser                  | 28. Filter Drier                     | 41. Compressor Room Cover     |
| 3. Damping Box Left Upper   | 16. Baffle of Condenser Fan            | 29. Drip Pan & Cover                 | 42. Cover Supporter (2)       |
| 4. Damping Box Left Bottom  | 17. Evaporator Fan Support             | 30. Ground Wire 1                    | 43. Power Card Holder (2)     |
| 5. Damping Left             | 18. Evaporator Fan                     | 31. Ground Wire 2                    | 44. Battery Box               |
| 6. Coolant Box (30)         | 19. Line Retaining Clip                | 32. Compressor Connecting Wire       | 45. Rail Supporter (2)        |
| 7. Damping Box Right Upper  | 20. Caster (2)                         | 33. Thermostat Connecting Wire       | 46. Wire Retaining Clip (4)   |
| 8. Damping Right            | 21. Caster with Lock (2)               | 34. Power Cord                       | 47. Fixing Plate              |
| 9. Damping Box Right Bottom | 22. Capacitor                          | 35. Bottom Front Graphic Strip       | 48. Thermostat                |
| 10. Door Gasket             | 23. Overload Protector & Starter Relay | 36. Corner Graphic Strips (4)        | 49. Control Board             |
| 11. Glass Door              | 24. Compressor                         | 37. Top Magnet Strips Front/Back (2) | 50. Storage Battery           |
| 12. Handle                  | 25. Front Bottom Baffle                | 38. Top magnet Strips Sides (2)      | 51. Support Frame             |
| 13. Rim                     | 26. Compressor Base                    | 39. Bottom Side Graphic Strip (2)    |                               |

## When using this appliance, always follow the basic safety precautions:

1. Read the entire User's Manual before operating this appliance.
2. Use this appliance only for its intended purpose as described in this User's Manual.
3. This cooler must be properly installed in accordance with the installation instructions before being used. See grounding instructions on page 4.
4. IDW requires that a dedicated circuit be used for the unit. Failure to do so voids warranty.
5. Never unplug your cooler by pulling on the power cord. Always grasp the plug firmly and pull it straight out from the outlet.
6. Unplug your cooler before cleaning or making any repairs.  
Note: If for any reason this product requires service, we strongly recommend that a certified technician perform the service.
7. When disconnecting the power source, wait at least 5 minutes to reconnect the power to avoid damage to the compressor and the cooling system.
8. Immediately repair or replace all electrical cords that have become frayed or otherwise damaged. Do not use a cord that shows cracks or abrasion damage along its length, the plug or the connector end.
9. To avoid damage to the casters, do not transport the cooler on rough surfaces.
10. Do not operate or store your cooler near or around explosive fumes, gasoline or other flammable vapors and liquids.
11. Do not use flammable liquids to clean unit.
12. Setting the temperature control to the 0 position does not remove power to the light circuit, perimeter heaters, or evaporator fans.
13. Do not adjust the temperature control. The temperature control is factory set between levels 4 and 5 for maximum performance.
14. The battery may release poisonous gas or explode if it is burned, broken or if air flow is restricted.
15. Do not remove the battery cover.
16. Do not touch the battery after the cooler has been plugged in to avoid electric shock.

### **PRE-CAUTION, NON-OPERATING COOLERS SHOULD HAVE:**

1. Door removed.
2. Baskets kept in place in order to prevent any small child from climbing inside cooler.

**FOR PROPER DISPOSAL OF COOLER:** Distributors / retailers need to contact a qualified service technician:

1. To recover all refrigerant from the cooler
2. To remove the compressor or remove the oil from the compressor

Then the distributor/ retailer can contact their local metal recycling center to pick up the remaining cabinet, shelves, etc. By law, disposal of hazardous wastes may be subject to fines and imprisonment under the provisions of the environmental regulations. For more information please visit: <http://www.epa.gov/osw/hazard/index.htm>

## AMBIENT ENVIRONMENT

- Place cooler on an even surface to reduce vibration and noise.
- To transport, do not tilt the cooler beyond a 45 degree angle.
- Do not place cooler in direct sunlight or near any heat sources.
- Do not place cooler in environment temperatures that exceed 109°F.
- Do not place cooler in below normal temperatures.
- Do not place cooler in extreme humid environments, this may cause components to rust.
- Do not place cooler near constant running or splattering water, this may cause immediate damage to refrigeration system.
- Allow at least 4" between rear of cooler and wall for proper ventilation and heat dissipation of cooler.
- Do not place furniture or other articles with sharp edges near the cooler in order to prevent damage.

## PREPARATION PRIOR TO OPERATION/INSTALLATION

### Unpackaging:

- Remove all packaging materials before using cooler.  
This includes: foam pedestal, adhesive tape (used to fix accessories) and protective gaskets.
- Cooler must remain unplugged in an upright position for 1 hour prior to use.
- Clean the interior surface with a soft cloth and lukewarm water.
- Inspect cooler for concealed damage. Immediately file a claim with the freight carrier if there is damage. IDW is not responsible for damage incurred during shipping.

## ELECTRICAL REQUIREMENTS

- This cooler should be using the correct power supply (either 110V/60Hz or 220V/50Hz) according to the manufacturer setting. Please check the rating information on the Electrical Rating Label.
- Dedicate one outlet for the use of the cooler.
- Do not use an extension cord or any other multiple connectors as this can lead to compressor failure.
- If the cord is damaged, it must be replaced.
- For your safety, plug the unit into a grounded wall outlet. Please check with a certified electrician for details.

**WARNING:** Do not use extension cords.

**WARNING:** Compressor warranties are void if compressor burns out due to low voltage.

**WARNING:** Power supply cord ground should not be removed!

## LEVELING/LOCATION

- Place unit in a well-ventilated area. **WARNING:** Warranty is void if ventilation is insufficient.
- Unit must be leveled for proper operation, this will help prevent condensation.
- The cooler should be leveled front to back and side to side with a leveler.

## INSTALLATION AND OPERATION

- 1 Connect the empty RCM<sup>2</sup> to a Power Source for 12+ hours.
- 2 After the empty cooler has been operating for an initial period of 12 hours, the unit can then be loaded with products\*.
- 3 The cooler can then be unplugged and rolled to any high traffic retail location for up to 12 hours. After 12 hours the unit must be plugged in again for an additional 12 hours. (The Re-Charge cycle)

It is important to understand that the Re-Charge Cold Merchandiser (RCM<sup>2</sup>) is designed to operate differently than typical beverage coolers. Typical coolers circulate the cold the air inside the cabinet to chill the beverages. The RCM<sup>2</sup> does not follow this principle. The RCM<sup>2</sup> freezes liquid filled coolant packs within the interior walls of the cabinet. It is important that these coolant packs are completely frozen to ensure that the beverages will be kept at a cold temperature for the maximum amount of time while the unit is unplugged and moved to the desired location. The initial time required to freeze these coolant packs can be between 12 and 24 hours depending on the operating environment.

\*For best results, on initial set-up we recommend the RCM<sup>2</sup> is allowed 24 hours to completely freeze the coolant packs. Following this initial 24 hour "charge" the subsequent "recharge" time will be much less. By following this extended initial freezing period, you will be ensuring that consumers are receiving the coldest possible beverage for the best possible extended time while the RCM<sup>2</sup> is unplugged.

## RECHARGEABLE BATTERY INSTRUCTIONS

The RCM<sup>2</sup> features a rechargeable battery that powers the inner fan.

- 1 Upon first using the cooler, or when the cooler has not been operated for a long period of time, it will take 12-18 hours for the battery to charge.
- 2 The RCM<sup>2</sup> battery is a size N.
- 3 If the RCM<sup>2</sup> is left plugged in for longer than 48 hours, it will reduce the lifetime of the rechargeable battery.

## BEVERAGE STORAGE

- 1 Do not overload the cooler beyond the red limitation line.



- 2 Leave adequate space between beverage cans to allow air circulation.
- 3 This cooler is primarily for storing beverage cans and plastic bottles. Avoid putting glass containers in the cooler.
- 4 All beverage products should be properly sealed to avoid leaking into the cooler.

## MAINTENANCE

### Accessing Inner Fan:



- 1 Remove the basket from the inside of the cooler.



- 2 Using a Philips screwdriver, unscrew (4) screws at the cover of inner fan.



- 3 Remove the inner fan cover.
- 4 Service or change inner fan.
- 5 Reverse steps 1-4 after maintenance.



## Accessing Compressor Compartment:



1 Using a Philips screwdriver, unscrew (2) screws at the bottom of grill.



2 Remove the grill



3 Replace or service the parts in the compressor compartment.

4 Reverse steps 1-3 after maintenance.

## Changing Electric Impulse Cooler Graphics:



1 Place graphic against the face of the cooler, open the top magnetic strip.



2 Wedge the graphic under the plastic frame of the cooler (sides and bottom) and the magnetic strip.



3 Adjust the graphic to the correct position.

## CLEANING

- Unplug the cooler prior to cleaning.
- Unplug the cooler at the electrical outlet; never pull the service cord.
- Do not use sharp or pointed objects for cleaning.
- Do not spray water directly onto cooler, and do not use hard or steel brushes to clean the cooler.
- Clean the inside cabinet of the cooler with a clean, damp cloth or with mild soap.
- Avoid damaging the cooler by using only non-abrasive cleaning products. Do not use organic solvents, boiling water, washing powder or acid while cleaning.

If the cooler is unused for a long period of time, unplug the electrical cord, follow cleaning instructions, and open or remove the lid.

## MOVING THE COOLER

- Remove all product from the unit.
- Secure all loose parts inside the cooler.
- Tape the door shut.
- Ship the cooler in an upright position.



### **CAUTION FLAMMABLE REFRIGERANT**

- **DANGER – Risk Of Fire Or Explosion. Flammable Refrigerant Used. To Be Repaired Only By Trained Service Personnel. Do Not Puncture Refrigerant Tubing.**
- **CAUTION – Risk Of Fire Or Explosion. Flammable Refrigerant Used. Consult Repair Manual/Owner's Guide Before Attempting To Install or Service This Product. All Safety Precautions Must be Followed.**
- **CAUTION – Risk Of Fire Or Explosion. Dispose Of Properly In Accordance With Federal Or Local Regulations. Flammable Refrigerant Used.**
- **CAUTION – Risk Of Fire Or Explosion Due To Puncture Of Refrigerant Tubing; Follow Handling Instructions Carefully. Flammable Refrigerant Used.**
- **CAREFUL - Handling, moving and operating of the refrigerator or freezer to avoid either damaging the refrigerant tubing, or increasing the risk of a leak.**
- **CAUTION - Component parts shall be replaced with like components and that servicing shall be done by factory authorized service personnel, so as to minimize the risk of possible ignition due to incorrect parts or improper service.**

## TROUBLESHOOTING

If your cooler is not working properly:

- Check the electrical outlet for power, and that the plug is properly inserted.
- Check to see if the circuit breaker is tripped or the fuse is blown.
- Check the condenser for proper cleaning.

If your cooler is making noise:

- Check that the cooler is level and on a flat surface.

If the compressor turns on and off frequently:

- The room temperature is higher than normal.
- The door is not closed completely.
- The door gasket is not sealed well.
- There is insufficient clearance around the cooler.
- The temperature is not set properly.
- The cycling frequency will reduce when all of the cans reach the set temperature.

The following is not a malfunction:

- It is normal to hear gurgling sounds caused by the flow of refrigerant during each cooling cycle.

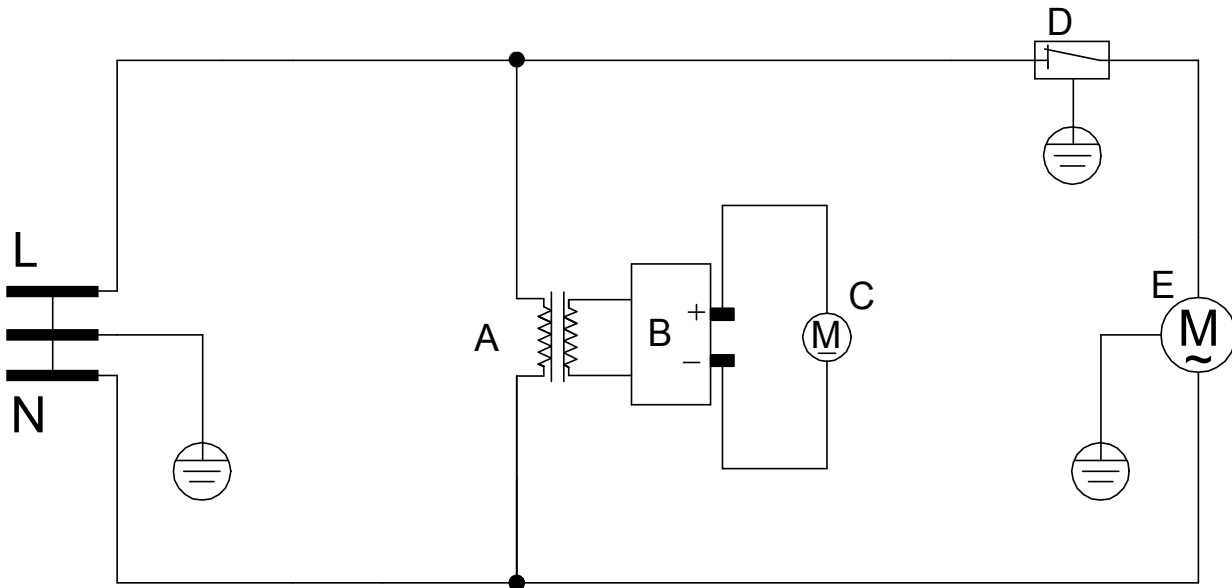
## REFRIGERANT

- The RCM<sup>2</sup> Impulse cooler utilizes R600a refrigerant.

## SPECIFICATIONS

Model:	RCM2 Electric Impulse Cooler
Power Supply (V/Hz):	110V/60Hz or 220V/50Hz
Dimension (W x D x H):	22" x 16.6" x 39.5"
Box Dimension (W x D x H):	24.25" x 19" x 43.7"
Maximum Load Per Shelf:	
NSF-7 Standard:	This equipment is intended for the storage and display of non-potentially hazardous bottled or canned products only.

CIRCUIT DIAGRAM



A. Control board

B. Storage battery

C. Evaporator fan

D. Thermostat

E. Compressor





*Innovative DisplayWorks, Inc.*

To locate the distributor in your area go to: <http://www.idw.global/contact/#distributors>