

# GS-2.5

COUNTERTOP COOLER



Manual is for the following model:

GS-2.5-023EB

GS-2.5-N23EB

GS-2.5-223EB

GS-2.5-A23EB



**Manual is for the following model:**

**GS-2.5-023EB**

**GS-2.5-N23EB**

**GS-2.5-223EB**

**GS-2.5-A23EB**

Instruction Manual

**GS-2.5**

## FOR YOUR FUTURE REFERENCE

- This easy-to-use manual will guide you in getting the best use of your cooler.
- Remember to record the model number and the serial number. This information can be found on the inside of your cooler.
- Keep your receipt with this manual for future warranty service.

Model #: \_\_\_\_\_

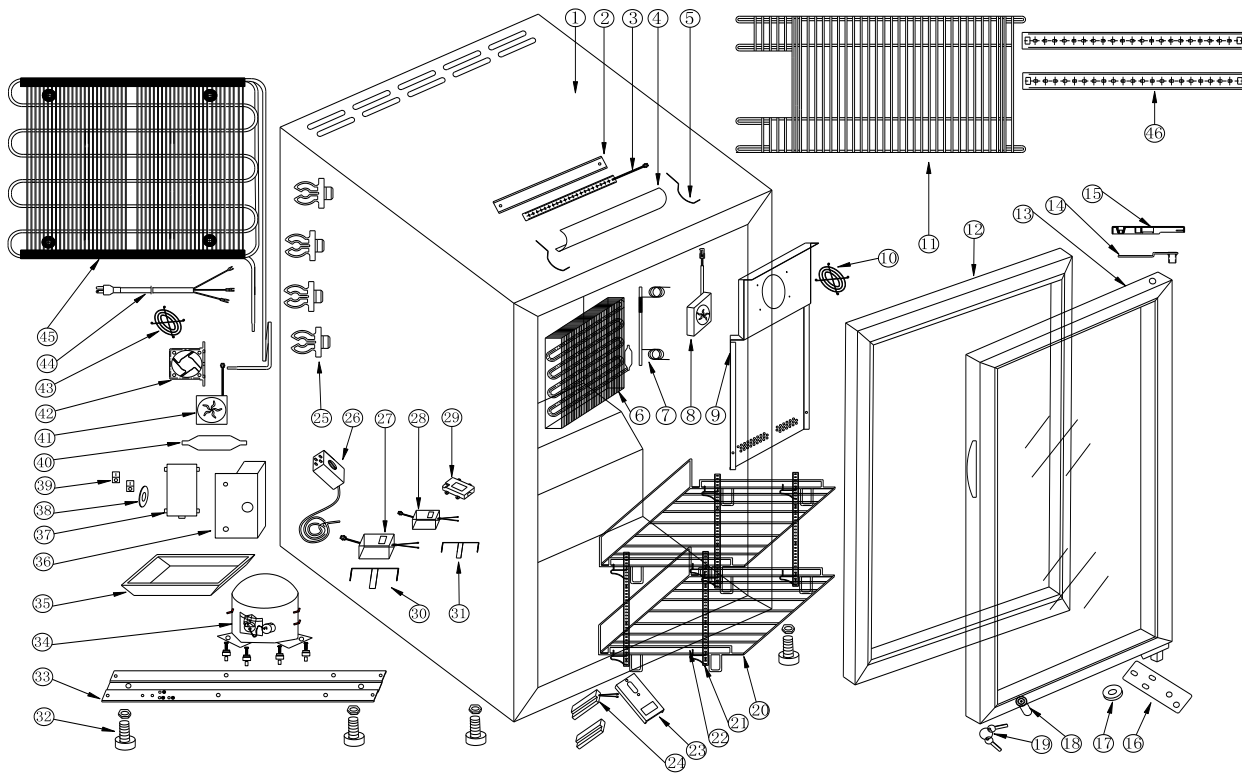
Serial #: \_\_\_\_\_

Date of Purchase: \_\_\_\_\_

## TABLE OF CONTENTS

Parts and Identification .....	2
Safety Instructions.....	3
Installation .....	3
Electric Connection .....	3
Start .....	3
Maintenance .....	4
Cleaning .....	4
Condenser Maintenance .....	4
Light Replacement.....	4
Power Failure.....	4
Moving the cooler.....	4
Drip Pan .....	4
Troubleshooting .....	5
Refrigerant .....	5
Specifications .....	5
Switch Function .....	6
Flammable R600a Warnings .....	6
Circuit Diagram.....	7

## PARTS & IDENTIFICATION



- |                                 |                         |                               |                           |
|---------------------------------|-------------------------|-------------------------------|---------------------------|
| 1. Cooler Cabinet               | 13. Glass Door          | 25. Condenser Support (4)     | 37. Thermostat Box Cover  |
| 2. Interior Light Bracket       | 14. Top Hinge           | 26. Thermostat                | 38. Thermostat Label      |
| 3. Interior LED                 | 15. Hinge Cover         | 27. Transformer 1A            | 39. Door Light Switch (2) |
| 4. Interior Lampshade           | 16. Bottom Hinge        | 28. Condenser Fan Transformer | 40. Filter Drier          |
| 5. Interior Lampshade Board (2) | 17. Bottom Hinge Washer | 29. Junction Box              | 41. Condenser Fan         |
| 6. Evaporator                   | 18. Door Lock           | 30. Transformer Box           | 42. Condenser Fan Cover   |
| 7. Circle Pipe                  | 19. Key (2)             | 31. Transformer Box           | 43. Fan Cover             |
| 8. Evaporator Fan               | 20. Large Shelf (2)     | 32. Foot (4)                  | 44. Power Cord            |
| 9. Evaporator Safeguard         | 21. Pilasters (4)       | 33. Compressor Panel          | 45. Condenser             |
| 10. Evaporator Fan Cover        | 22. Shelf Clip (8)      | 34. Compressor                | 46. LED Lights (2)        |
| 11. Rear Grill                  | 23. Lockpin             | 35. Drip Pan                  |                           |
| 12. Door Gasket                 | 24. Magnetic Switch     | 36. Thermostat Box            |                           |

## BEFORE USING, PLEASE READ ALL INSTRUCTIONS

### SAFETY INSTRUCTIONS

To reduce the risk of fire, electric shocks, or injury when using your cooler, please note the following basic precautions:

- Never clean appliance parts with flammable fluids.
- Do not store or use gasoline or any other flammable vapors and liquids in the vicinity of this or any other appliance. The fumes can cause a fire or explosion.
- As with all electrical appliances, please consult a licensed repair technician for any repairs.
- Do not block the ventilation holes located on the top of the cabinet.

### INSTALLATION

- Keep cooler in an upright position for 1-hour prior to use. This is essential for proper operation. If the cooler is transported in the horizontal position, the cooler must be returned to the upright position and not plugged in for 1 hour.
- Remove all the packing material before using your cooler.
- Clean the interior surface with a soft cloth and lukewarm water.
- If the cooler is transported in the horizontal position, check the drain pan and ensure that it is properly positioned above the compressor.
- For proper operation, place the cooler on a dry, level surface.
- Place the cooler at least 4" away from any walls. Otherwise, this could cause damage to the electrical cord and block the air circulation to the appliance.
- Do not block the air intake that ventilates the condenser unit.

### ELECTRIC CONNECTION

- This model operates with an 115V/60Hz power supply. Check the electrical outlet for proper voltage.
- Warning: Plug unit directly into wall outlet. Do not use an extension cord or any other multiple connectors.
- For your safety, plug the unit into a grounded wall outlet.

### START

- Plug the cooler into the electrical outlet. For optimum performance, run cooler for 3 hours prior to use.
- Temperature Control: Do not adjust the temperature control. The temperature control is factory set to provide maximum performance. If really necessary, you can turn the thermostat by screw driver clockwise to have lower temperature inside the cooler

### LIGHT CONTROL

- The inside light is controlled by the magnetic switch.

## MAINTENANCE

### Cleaning

- Before cleaning the appliance, always remember to unplug it.
- Unplug the cooler at the electrical outlet; never pull the service cord.
- Do not use sharp or pointed objects for cleaning.
- Clean the inside cabinet of the cooler with a clean damp cloth. Avoid damage by using non-abrasive and non-flammable cleaning products.
- Clean the condenser at least once a month with a vacuum cleaner or a brush to eliminate the dust accumulation.

### Light Replacement

- Unplug the cooler before removing the LED light strip.
- Remove the screws.
- Remove the light cover gently.
- Take out the LED light strip.
- Replace the used strip with new equivalent light strip.
- Install the light cover and tighten the screws.
- Plug in the cooler.

### Power Failure

- Please minimize the frequency of opening the door during a power failure.
- If your cooler is unused for an extended period of time, unplug, empty, and clean your cooler and keep the door open to avoid condensation, formation of mold, or odors.

### Moving The Cooler

- Empty the unit.
- Secure all loose parts inside the cooler.
- Tape the door shut.
- During transportation, make sure that the cooler is in an upright position.

### Drip pan

- During normal compressor cycle, water will drain into the drain pan and evaporate.
- To clean, gently pull the drain pan towards you and remove. Slowly reinstall it after cleaning.

## TROUBLESHOOTING

If your cooler is not working properly:

- Check the electrical outlet for power, and that the plug is properly inserted.
- Check to see if the circuit breaker is tripped or the fuse is blown.
- Check the condenser for proper cleaning.

If your cooler is making noise:

- Check that the cooler is level and on a flat surface.

If the compressor turns on and off frequently:

- The room temperature is higher than normal.
- The door is not closed completely.
- The door gasket is not sealed well.
- There is insufficient clearance around the cooler.
- The temperature is not set properly.
- The cycling frequency will reduce when all of the cans reach the set temperature.

The following is not a malfunction:

- It is normal to hear gurgling sounds caused by the flow of refrigerant during each cooling cycle.

## REFRIGERANT

- The GS-2.5 cooler utilizes R600a refrigerant.

## SPECIFICATIONS

Model:	GS-2.5 Countertop Cooler
Power Supply (V/Hz):	110V/60Hz
Dimension (W x D x H):	18.5" x 21" x 27.5"
Box Dimension (W x D x H):	20.25" x 22.25" x 29"
Maximum Load Per Shelf:	
NSF-7 Standard:	This equipment is intended for the storage and display of non-potentially hazardous bottled or canned products only.

## SWITCH FUNCTION

Switch Status	Interior LED Switch	Door LED Switch	Remark
1/1	ON	ON	Interior ON and Door logo ON
1/0	ON	OFF	Interior ON and Door logo OFF
0/1	OFF	ON	Interior OFF and Door logo ON, interior LED turns ON when door opens
0/0	OFF	OFF	Interior OFF and Door logo OFF, interior LED turns ON when door opens

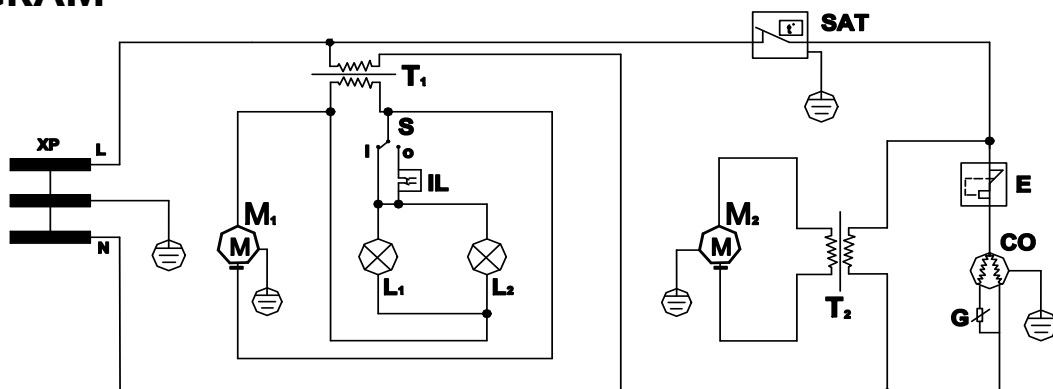


### CAUTION FLAMMABLE REFRIGERANT

- **DANGER** – Risk Of Fire Or Explosion. Flammable Refrigerant Used. To Be Repaired Only By Trained Service Personnel. Do Not Puncture Refrigerant Tubing.
- **CAUTION** – Risk Of Fire Or Explosion. Flammable Refrigerant Used. Consult Repair Manual/Owner's Guide Before Attempting To Install or Service This Product. All Safety Precautions Must be Followed.
- **CAUTION** – Risk Of Fire Or Explosion. Dispose Of Properly In Accordance With Federal Or Local Regulations. Flammable Refrigerant Used.
- **CAUTION** – Risk Of Fire Or Explosion Due To Puncture Of Refrigerant Tubing; Follow Handling Instructions Carefully. Flammable Refrigerant Used.
- **CAREFUL** - Handling, moving and operating of the refrigerator or freezer to avoid either damaging the refrigerant tubing, or increasing the risk of a leak.
- **CAUTION** - Component parts shall be replaced with like components and that servicing shall be done by factory authorized service personnel, so as to minimize the risk of possible ignition due to incorrect parts or improper service.



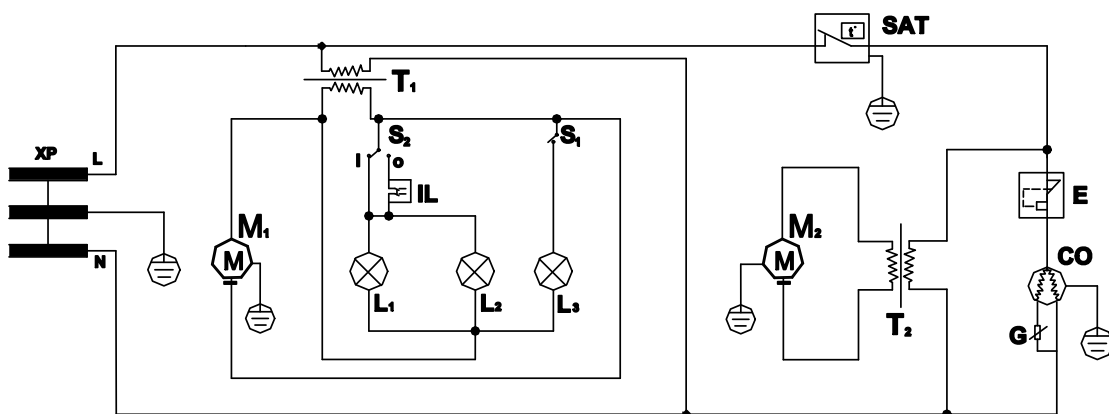
## CIRCUIT DIAGRAM GS-2.5-023EB



**XP-Plug**  
**G-Startup**  
**L<sub>1</sub>, L<sub>2</sub>-LED Lamp**  
**T<sub>1</sub>-Adaptor**  
**T<sub>2</sub>-Motor fan Adaptor**  
**M<sub>1</sub>-Inner fan**

**CO-Compressor**  
**E-Outstanding safeguard**  
**SAT-Temperature control**  
**IL-Magnetism switch**  
**S-Inner LED Switch**  
**M<sub>2</sub>-Motor fan**

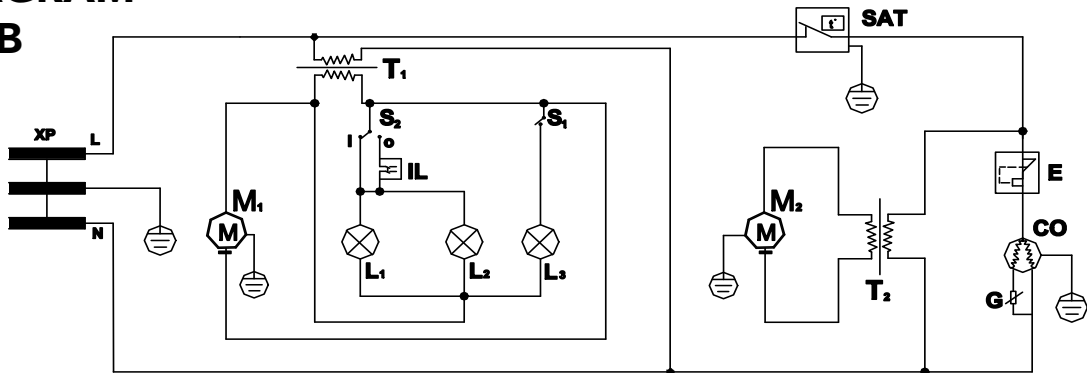
## CIRCUIT DIAGRAM GS-2.5-N23EB



**XP-Plug**  
**G-Startup**  
**L<sub>1</sub>, L<sub>2</sub>, L<sub>3</sub>-LED Lamp**  
**T<sub>1</sub>-Adaptor**  
**T<sub>2</sub>-Motor fan Adaptor**  
**S<sub>1</sub>-Door LED Switch**

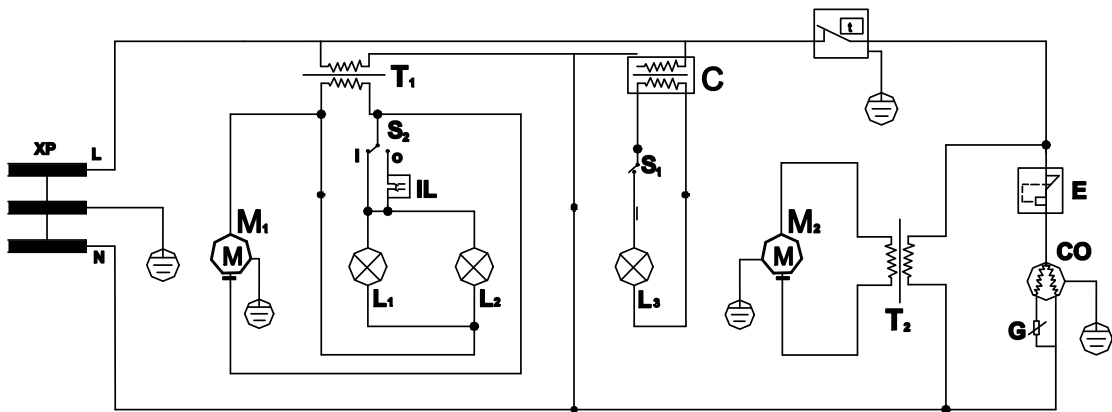
**CO-Compressor**  
**E-Outstanding safeguard**  
**SAT-Temperature control**  
**IL-Magnetism switch**  
**S<sub>2</sub>-Inner LED Switch**  
**M<sub>1</sub>-Inner fan    M<sub>2</sub>-Motor fan**

**CIRCUIT DIAGRAM  
GS-2.5-223EB**



- XP-Plug
- G-Startup
- L<sub>1</sub>, L<sub>2</sub>, L<sub>3</sub>-LED Lamp
- T<sub>1</sub>-Adaptor
- T<sub>2</sub>-Motor fan Adaptor
- S<sub>1</sub>-Door LED Switch
- CO-Compressor
- E-Outstanding safeguard
- SAT-Temperature control
- IL-Magnetism switch
- S<sub>2</sub>-Inner LED Switch
- M<sub>1</sub>-Inner fan
- M<sub>2</sub>-Motor fan

**CIRCUIT DIAGRAM  
GS-2.5-A23EB**



- XP-Plug
- G-Startup
- L<sub>1</sub>, L<sub>2</sub>, L<sub>3</sub>-LED Lamp
- T<sub>1</sub>-Adaptor
- T<sub>2</sub>-Motor fan Adaptor
- M<sub>1</sub>-Inner fan
- S<sub>1</sub>-Door LED Switch
- CO-Compressor
- E-Outstanding safeguard
- SAT-Temperature control
- IL-Magnetism switch
- C-Control circuit board
- M<sub>2</sub>-Motor fan
- S<sub>2</sub>-Inner LED Switch





*Innovative DisplayWorks, Inc.*

To locate the distributor in your area go to: <http://www.idw.global/contact/#distributors>