

G-9/GCG-9

UPRIGHT COOLER



Manual is for the following models:

G-9
GCG-9
GCG-9B
GCG-9-B31N*
GCG-9-N31N*
G-9-N31N*
G-9-B31N*
GCG-9-231N*
GCG-9-A31N*
GCG-9-S31N*
G-9-S31N*

*G,I,M,7,J plug

Manual is for the following models:

G-9

GCG-9

GCG-9B

GCG-9-B31N*

GCG-9-N31N*

G-9-N31N *

G-9-B31N*

GCG-9-231N*

GCG-9-A31N*

GCG-9-S31N*

G-9-S31N*

***G,I,M,7,J plug**

Instruction Manual



FOR YOUR FUTURE REFERENCE

- This easy-to-use manual will guide you in getting the best use of your cooler.
- Remember to record the model number and the serial number. This information can be found on the inside of your cooler.
- Keep your receipt with this manual for future warranty service.

Model #: _____

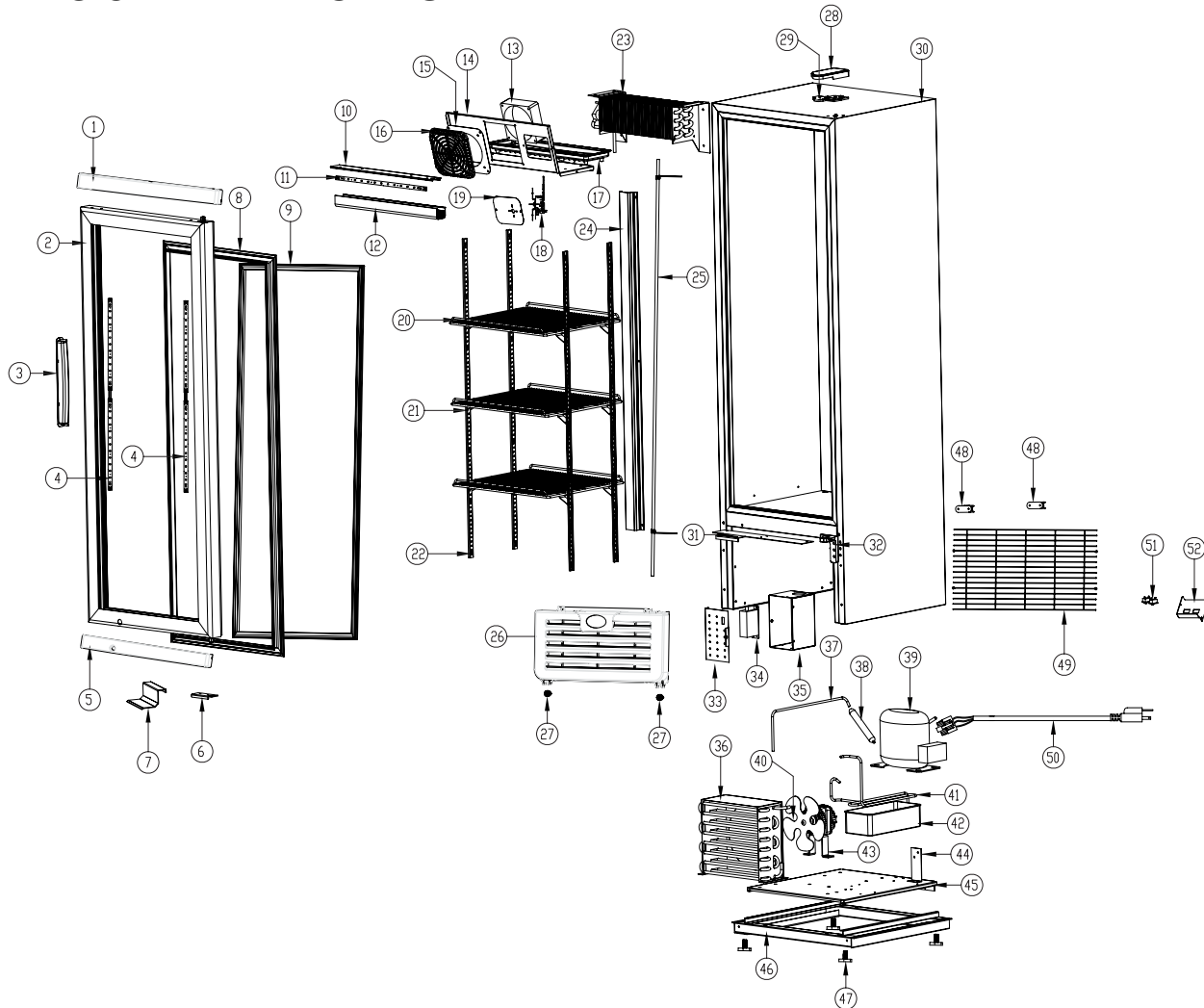
Serial #: _____

Date of Purchase: _____

TABLE OF CONTENTS

Parts & Identification	3
Safety Precautions	4
Features.....	5
Instructions	5
Flammable R290 Warnings	5
Ambient Environment.....	5
Preparation Before Operation.....	6
Replacing the Interior Light	7
Replacing the Door LED Lights	8
Setting Up Power Cord Holder.....	8
Startup, Operation & Temperature Adjustment.....	9
Lit Door 'Logo' Switch.....	9
Repair & Maintenance for Refrigeration Drawer.....	9
Condenser Maintenance	10
Maintenance	10
Cleaning Shutdown Questions & Answers.....	10
Troubleshooting	11
After-Sales Service.....	11
GCG-9 Circuit Diagram.....	12
GCG-9 Electrical Wiring Diagram.....	13
G-9 Circuit Diagram.....	14
G-9 Electrical Wiring Diagram.....	15

PARTS & IDENTIFICATION



- | | | |
|----------------------|---------------------------------|--------------------------------------|
| 1. Top Door Trim | 19. Thermostat Panel | 37. Connecting Tube for Filter Dryer |
| 2. Glass Door | 20. Shelf (5) | 38. Filter Dryer |
| 3. Door Handle | 21. Shelf Clips (20) | 39. Compressor |
| 4. LED Light in Door | 22. Pilaster (4) | 40. Condenser Fan |
| 5. Lower Door Trim | 23. Evaporator | 41. Connecting Tube for Condenser |
| 6. Door Limiter | 24. Tubing Cover | 42. Water Container |
| 7. Door Support | 25. Return Pipe | 43. Fan Support |
| 8. LED Light Cover | 26. Grill | 44. Filter Dryer Bracket |
| 9. Door Gasket | 27. Plastic Fixation Column (2) | 45. Upper Baseboard |
| 10. Top Lamp Stand | 28. Top Hinge Cover | 46. Lower Baseboard |
| 11. LED Light | 29. Top Hinge | 47. Leveling Leg (4) |
| 12. LED Light Cover | 30. Cabinet | 48. Bumper Block (2) |
| 13. Evaporating Fan | 31. Fixing Bracket for Grill | 49. Compressor Guard |
| 14. Control Panel | 32. Lower Hinge | 50. Power Cord |
| 15. Fan Baseboard | 33. Electric Box Cover | 51. Light Switch (2) |
| 16. Fan Guard | 34. Transformer for LED Light | 52. Fixing Bracket for Light Switch |
| 17. Water Container | 35. Electric Box | |
| 18. Thermostat | 36. Condenser | |

SAFETY PRECAUTIONS

When using this appliance, always follow the basic safety precautions:

1. This appliance is intended for commercial only or similar use.
2. DO NOT use the appliance outside. For indoor use only
3. DO NOT use jet/pressure washers to clean this appliance.
4. DO NOT allow children to play with the packaging, and destroy plastic bags safely.
5. Always switch off and disconnect the power supply to the unit before cleaning.
6. If the power cord is damaged, it must be replaced by the manufacturer, its service agent or similarly qualified persons in order to avoid a hazard.
7. This appliance is not intended for use by persons (including children) with reduced physical, sensory or mental capabilities, or lack of experience and knowledge, unless they have been given supervision or instruction concerning use of the appliance by a person responsible for their safety.
8. Children should be supervised to ensure that they do not play with this appliance.
9. This appliance can be used by children age 8 years and above; and persons with reduced physical, sensory or mental capabilities or lack of experience and knowledge if they have been given supervision or instruction concerning use of the appliance in a safe way and understand the hazards involved. Children shall not play with the appliance. Cleaning and user maintenance shall not be preformed by children without supervision.
10. The appliances are not intended to be operated by means of an external timer or separate remote-control system.
11. Keep the appliance and its cord out of reach of children less than 8 years of age.
12. Do not store explosive substances such as aerosol cans with a flammable propellant in this appliance.

Please save these instructions!

DANGER!

Proper Disposal of the Refrigerator

PRE-CAUTION, NON-OPERATING COOLERS SHOULD HAVE:

1. Glass door removed.
2. Shelves kept in place in order to prevent any small child from climbing inside cooler.

FOR PROPER DISPOSAL OF COOLER: Distributors / retailers need to contact a qualified service technician:

1. To recover all Freon/refrigerant from the cooler
2. To remove the compressor or remove the oil from the compressor

This appliance uses flammable insulation blowing gas, please dispose of the appliance according to the local regulation. The distributor/retailer can contact their local metal recycling center to pick up the remaining cabinet, shelves, etc. By law, disposal of hazardous wastes may be subject to fines and imprisonment under the provisions of the environmental regulations.

FEATURES

- Designed with an elegant shape and quick refrigeration speed, this commercial-grade product is an ideal choice for shopping malls, supermarkets, hotels, etc.
- Transparent glass doors are built with hollow, toughened glass that provides a high level of heat insulation. Clear doors allow for high product visibility.
- The forced air system allows for fast cooling speeds, which helps maintain a consistent temperature.
- Adjustable shelves allow for a wide variety of products to be stocked.
- A built-in lock offers the ability to secure products.
- The refrigeration unit is designed for easy access, allowing for fast and simple repairs.
- This equipment is intended for storage and display of non-hazardous packaged product.



CAUTION FLAMMABLE REFRIGERANT

- **WARNING** – Keep clear of obstruction all ventilation openings in the appliance enclosure or in the structure for building-in.
- **WARNING** – Do not use mechanical devices or other means to accelerate the defrosting process, other than those recommended by the manufacturer.
- **DO NOT** damage the refrigerant circuit..
- **DO NOT** use electrical appliances inside the food storage compartments of the appliance, unless they are of the type recommended by the manufacturer.

INSTRUCTIONS

Ambient Environment

- Place cooler on an even surface to reduce vibration and noise.
- To transport, do not tilt the cooler beyond a 45 degree angle.
- Do not place cooler in direct sunlight or near any heat sources.
- Do not place cooler in environment temperatures that exceed 109°F.
- Do not place cooler in below normal temperatures.
- Do not place cooler in extreme humid environments, this may cause components to rust.
- Do not place cooler near constant running or splattering water, this may cause immediate damage to refrigeration system.
- Must allow at least 2" between rear of cooler and wall for proper ventilation and heat dissipation of cooler.
- Do not place furniture or other articles with sharp edges near the cooler in order to prevent damage to the glass door.

PREPARATION PRIOR TO OPERATION

- Remove all packaging materials before using cooler.
This includes: foam pedestal, adhesive tape (used to fix accessories) and protective gaskets.
- Inspect cooler for concealed damage. Immediately file a claim with the freight carrier if there is damage. IDW is not responsible for damage incurred during shipping.
- For proper operation, place the cooler on a dry, level surface.
- Clean the interior surface with a soft cloth and lukewarm water before operation.
- Keep cooler in an upright position for 30 minutes prior to use.
- IDW requires that a sole use circuit be dedicated for the unit. Failure to do so voids warranty.
WARNING: Do not use extension cords.
WARNING: Compressor warranties are void if compressor burns out due to low voltage.
WARNING: Power supply cord should not be removed or altered in any way.

Leveling

- Set unit in its final location, making certain there is adequate ventilation in the room.
WARNING: Warranty is void if ventilation is insufficient.
- Proper leveling of the G-9/GCG-9 cooler is critical to it operating correctly. Condensation removal and door operation will be affected by leveling.
 < **The cooler should be leveled front to back and side to side with a level.**
- Ensure that drain hose or hoses are positioned in the pan.
- Remove plug and cord from inside the lower rear of the cooler.
- The unit should be placed close enough to the electrical supply so that extension cords are never used.

Shelving Installation (maximum load per shelf is 21kg.)



- Securely insert shelf clips into pilasters
- Shelf clips should be level so shelf lays flat
- Place shelf on shelf clips

REPLACING THE INTERIOR LIGHT



1 Squeeze both sides of the plastic cover with your fingertips to remove.



2 Disconnect the lights.



3 Unscrew (3) screws using a Phillip's screwdriver.



4 Remove LED light strand.

5 To install LED lights follow the above directions in reverse order.

REPLACING THE DOOR LED LIGHTS

1 Unplug the cooler.



2 Remove plastic cover.



3 Disconnect top light strand.



4 Disconnect middle light strand.



5 Unscrew light strand.



6 Remove entire light strand.

7 To install LED lights follow the above instructions in reverse order.

Notes: If there are any malfunctions with the main control panel of LED lights, please contact a professional for replacement.

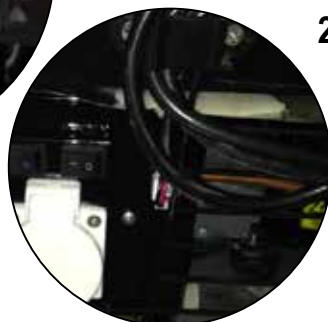
SETTING UP SPACER & POWER CORD HOLDERS

The G-9/GCG-9 is supplied with one set (2 pieces) of Spacers to hold the extra length of Power Cord



1 Take out the two Spacers and screws supplied in the Accessory Pack shipped with the Cooler.

2 Use a Phillips screwdriver to secure the two Spacers onto the rear of the cooler.



STARTUP, OPERATION AND TEMPERATURE ADJUSTMENT

Operation

- Prior to stocking cooler with product, it should be operated empty for half an hour.

Temperature Adjustment

- GCG-9 performance testing position of the thermostat is around 3.5-5.

Lit Door “Logo” Switch - For GCG-9 Models Only



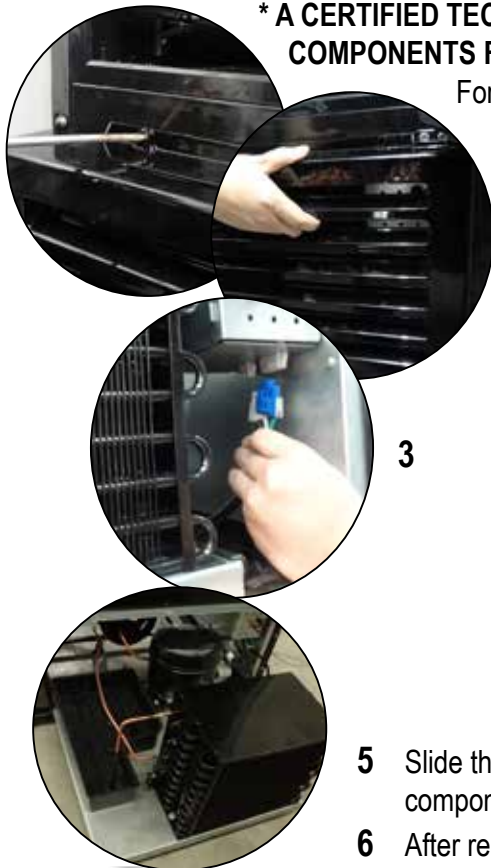
Operation

- The light switch located at the bottom left hand side on the rear of the cabinet is the ON/OFF switch for the Lit logo located on the door of the cooler.

REPAIR AND MAINTENANCE FOR REFRIGERATION DRAWER

*** A CERTIFIED TECHNICIAN IS REQUIRED TO REPAIR ALL REFRIGERATION COMPONENTS FOR WARRANTY PURPOSES.**

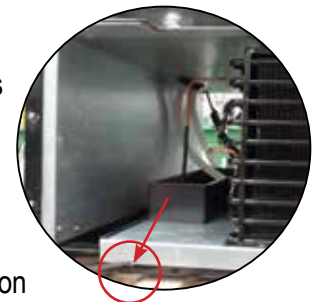
For convenient repair, the refrigeration components (compressor, evaporator, condenser, evaporation fan, condensation fan and filter) are designed using a split system; any component can be easily replaced. Replacement procedure is as follows:



- 1 Unplug the unit.
- 2 Remove the screws from the front grill, and then remove the grill.

- 3 Unplug all connections and terminals that are in need of repair.

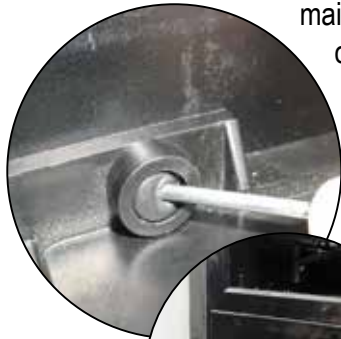
- 4 Using a screwdriver, remove the (3) screws from the refrigeration drawer base plate.



- 5 Slide the Refrigeration Drawer out to easily access refrigeration components. Remove the component to replace or repair.
- 6 After repair, re-install all parts using the reverse procedure.

CONDENSER MAINTENANCE

It is essential to keep the condenser coils clean and free of dust and debris at all times. It is required to periodically clean the condenser coils with a soft bristle brush or vacuum-cleaner to properly maintain the refrigeration system. Failure to clean the condenser at regular intervals may cause failure of the refrigeration system and could void the warranty.



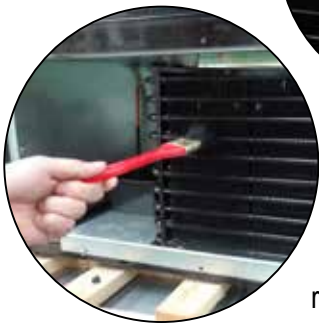
1 Remove the rubber cap from the front Grill.



2 Using a Phillips screwdriver, remove the three screws as shown.



3 The front plastic grill can now be removed by pulling it up.



4 Using plastic bristle brush, carefully clean the coil being aware that fins can bend or be damaged if too much force is used - shown left.

5 Replace grill and utilize the Phillips screwdriver to tighten the screws into place, replace the rubber caps.

MAINTENANCE - Cleaning Shutdown Questions and Answers

Cleaning and Maintenance

- Unplug the cooler before cleaning.
- Use a soft cloth or sponge with water or soap (non-corrosive mild detergent), while cleaning. After cleaning, wipe the cooler using dry cloth to keep the cooler from rusting.
- Do not spray water on the cooler, and do not use hard or steel brushes to clean the cooler.
- Do not use organic solvents, boiling water, washing powder or acid while cleaning.

If the cooler's power will be off for a long period of time, unplug it, clean as instructed above, and keep door open until dry.

TROUBLESHOOTING

The following are not Malfunctions:

Issues	Solutions
Liquid flowing noise within cooler	This liquid is the sound of the cooling agent flowing through the pipes.
Refrigeration system is shutdown for longer periods of time while temperature inside is still very low.	This refrigerator has a strong level of heat preservation and can maintain a relatively ambient temperature.
Condensation on glass door	This may be due to a high indoor humidity or a low inside temperature value may be set. Wipe the door dry with a towel.

- 1 This refrigerator has been designed and manufactured according to National standards. If there are any questions during use, refer to this operation manual to help troubleshoot problems.
- 2 When disposing of the cooler, please remove the door and lock assembly to avoid children accidentally becoming trapped inside the cooler.

AFTER SALES SERVICE

Any product has the possibility of malfunction. Please observe the cooler's operation and any changes to product being stored. If there are any abnormal cases, refer to the table below. If there is still no change after following the below instructions, please inform our service center in a timely manner to avoid a further loss of the unit.

Issues	Solutions
Cooler is not functioning.	Please check power supply: <ul style="list-style-type: none"> • Fuse damage • The plug is not securely inserted into the wall socket • Check for low voltage
Cooler is not keeping product cool.	<ul style="list-style-type: none"> • Provide ample space between all products to ensure proper circulation of air. • Keep unit away from direct sunlight or other heating source. • Keep door closed as often as possible. • Be certain cooler is not touching external objects or walls.
Excessive noise	<ul style="list-style-type: none"> • Be certain the cooler is placed on a level surface. • Be certain cooler is not touching external objects or walls.

Correct Disposal of this product

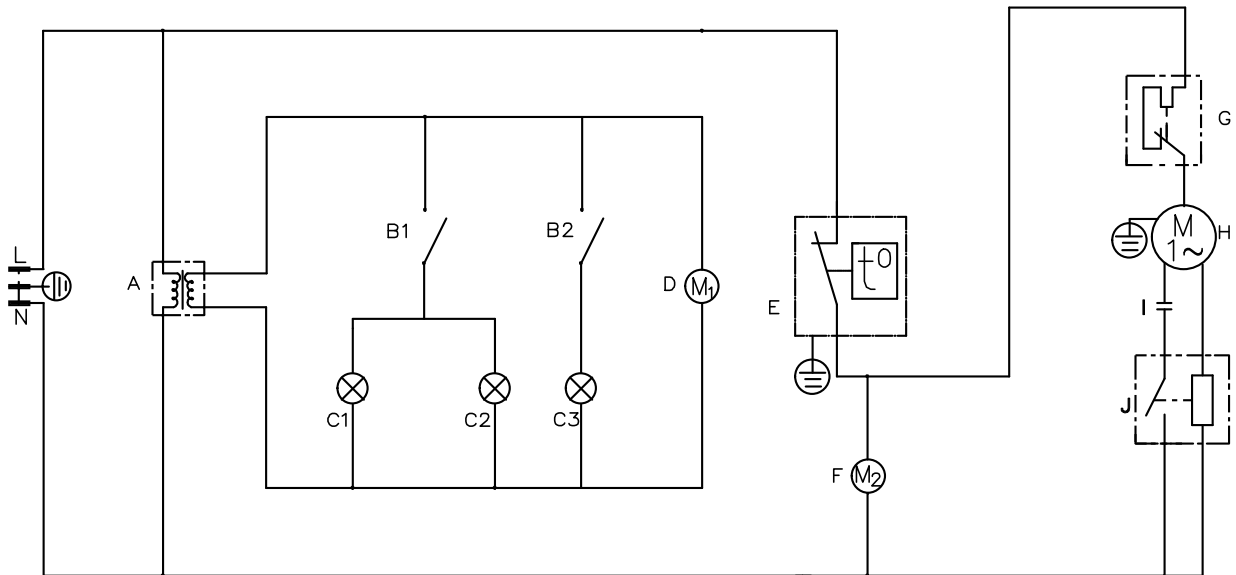


This marking indicates that this product should not be disposed of with other household waste throughout the EU. To prevent possible harm to the environment or human health due to uncontrolled waste disposal, recycle it responsibly to promote the sustainable reuse of material resources. To return your used device, please use the return and collections system, or contact the retailer where the product was purchased for instructions on disposal.

G-9/GCG-9

GCG-9 CIRCUIT DIAGRAM

For models: **GCG-9, GCG-9B, GCG-9-B31N*, GCG-9-N31N*, GCG-9-231N*, GCG-9-A31N*, GCG-9-S31N*** (*G,I,M,7,J plug)



A: Transformer for all Lights & Evaporator Fan
 B1: On/Off Switch for Interior Light
 B2: On/Off Switch for Lit Door Logo Light
 C1: Interior Top LED Light
 C2: Door Side LED Light
 C3: Logo LED Light
 D: Evaporator Fan

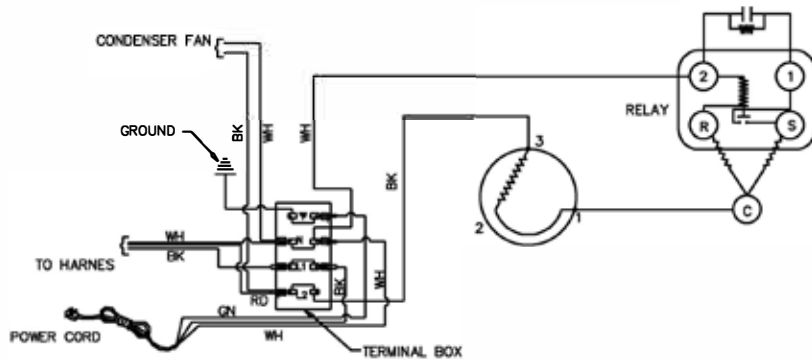
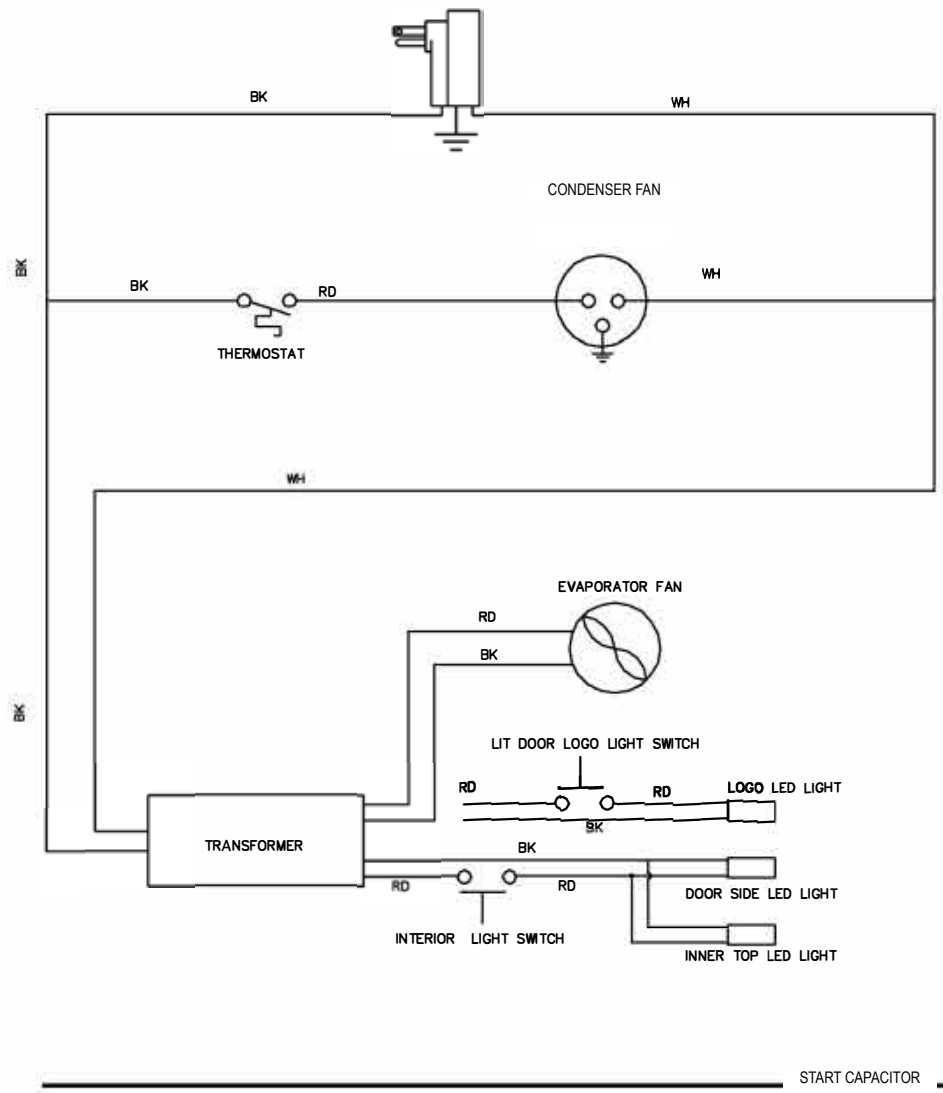
E: Thermostat
 F: Condenser Fan
 G: Overload Protector
 H: Compressor
 I: Start Capacitor
 J: Start Relay

SPECIFICATIONS

MODEL	VOLUME (L)	RATED VOLTAGE	CLIMATE CLASS	RATED CURRENT	LAMP INPUT POWER	REFRIGERANT
G-9, G-9-N31N*, G-9-B31N*, G-9-S31N*	203	220-240V/50Hz	4	1.5A	15V	R290/85g
GCG-9, GCG-9B, GCG-9-B31N*, GCG-9-N31N*, GCG-9-231N*, GCG-9-A31N*, GCG-9-S31N*						
*G,I,M,7,J plug						

GCG-9 ELECTRICAL WIRING DIAGRAM

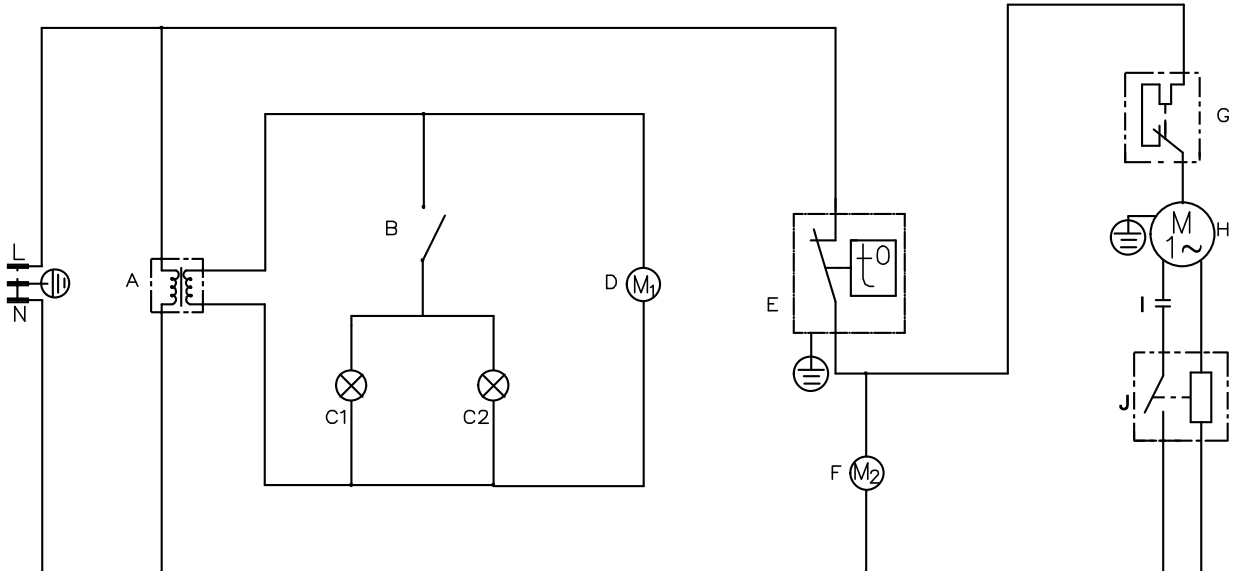
For models: GCG-9, GCG-9B, GCG-9-B31N*, GCG-9-N31N*, GCG-9-231N*, GCG-9-A31N*, GCG-9-S31N* (*G,I,M,7,J plug)



G-9/GCG-9

G-9 CIRCUIT DIAGRAM

For models: G-9, G-9-N31N *, G-9-B31N*, G-9-S31N* (*G,I,M,7,J plug)

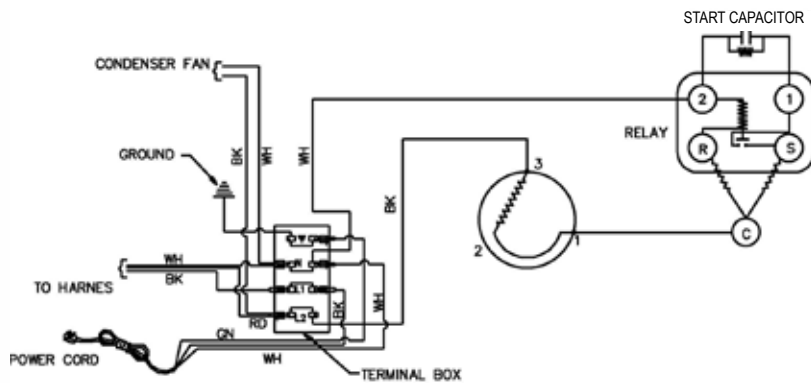
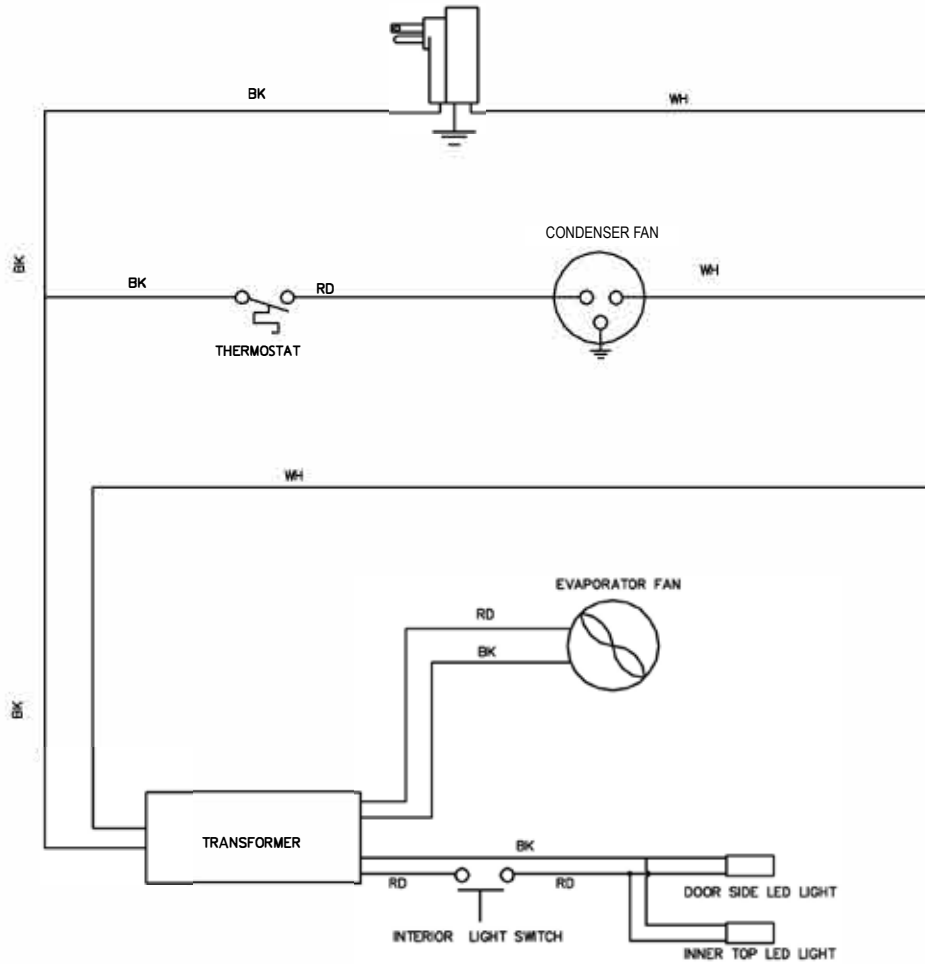


A: Transformer for all Lights & Evaporator Fan
B: On/Off Switch for Light
C1: Interior Top LED Light
C2: Door Side LED Light
D: Evaporator Fan
E: Thermostat

F: Condenser Fan
G: Overload Protector
H: Compressor
I: Start Capacitor
J: Start Relay

G-9 ELECTRICAL WIRING DIAGRAM

For models: G-9, G-9-N31N *, G-9-B31N*, G-9-S31N* (*G,I,M,7,J plug)





Innovative DisplayWorks, Inc.

To locate the distributor in your area go to: <http://www.idw.global/contact/#distributors>