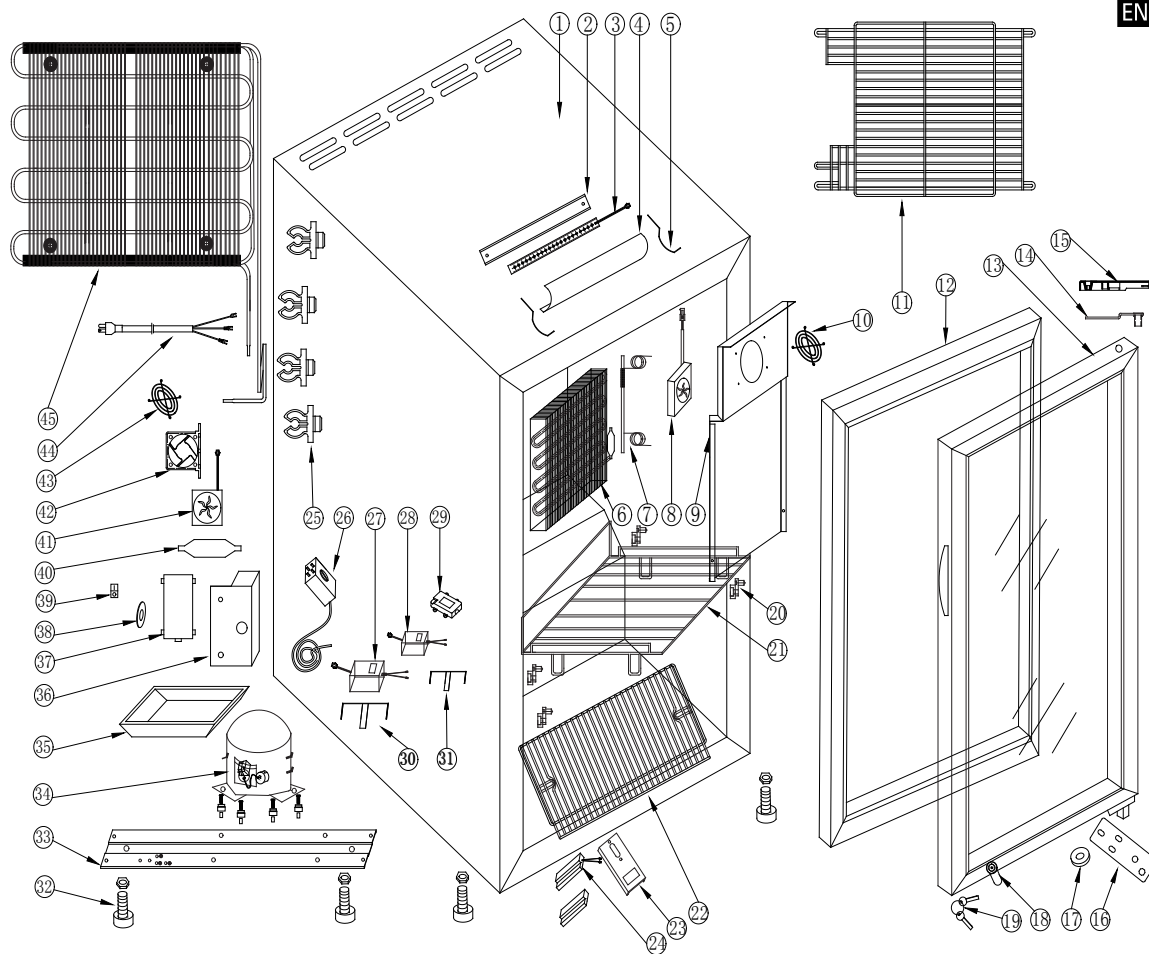


## PARTS & IDENTIFICATION



- |                                 |                         |                               |                          |
|---------------------------------|-------------------------|-------------------------------|--------------------------|
| 1. Cooler Cabinet               | 13. Glass Door          | 25. Condenser Support (4)     | 37. Thermostat Box Cover |
| 2. Interior Light Bracket       | 14. Top Hinge           | 26. Thermostat                | 38. Thermostat Label     |
| 3. Interior LED                 | 15. Hinge Cover         | 27. Transformer               | 39. Door Light Switch    |
| 4. Interior Lampshade           | 16. Bottom Hinge        | 28. Condenser Fan Transformer | 40. Filter Dryer         |
| 5. Interior Lampshade Board (2) | 17. Bottom Hinge Washer | 29. Junction Box              | 41. Condenser Fan        |
| 6. Evaporator                   | 18. Door Lock           | 30. Transformer Box           | 42. Condenser Fan Cover  |
| 7. Return Pipe                  | 19. Key (2)             | 31. Transformer Box           | 43. Fan Cover            |
| 8. Evaporator Fan               | 20. Shelf Clip (4)      | 32. Leveling Leg (4)          | 44. Power Cord           |
| 9. Evaporator Safeguard         | 21. Large Shelf         | 33. Compressor Base           | 45. Condenser            |
| 10. Evaporator Fan Cover        | 22. Small Shelf         | 34. Compressor                |                          |
| 11. Rear Grill                  | 23. Lockpin             | 35. Drip Pan                  |                          |
| 12. Door Gasket                 | 24. Magnetic Switch     | 36. Thermostat Box            |                          |

