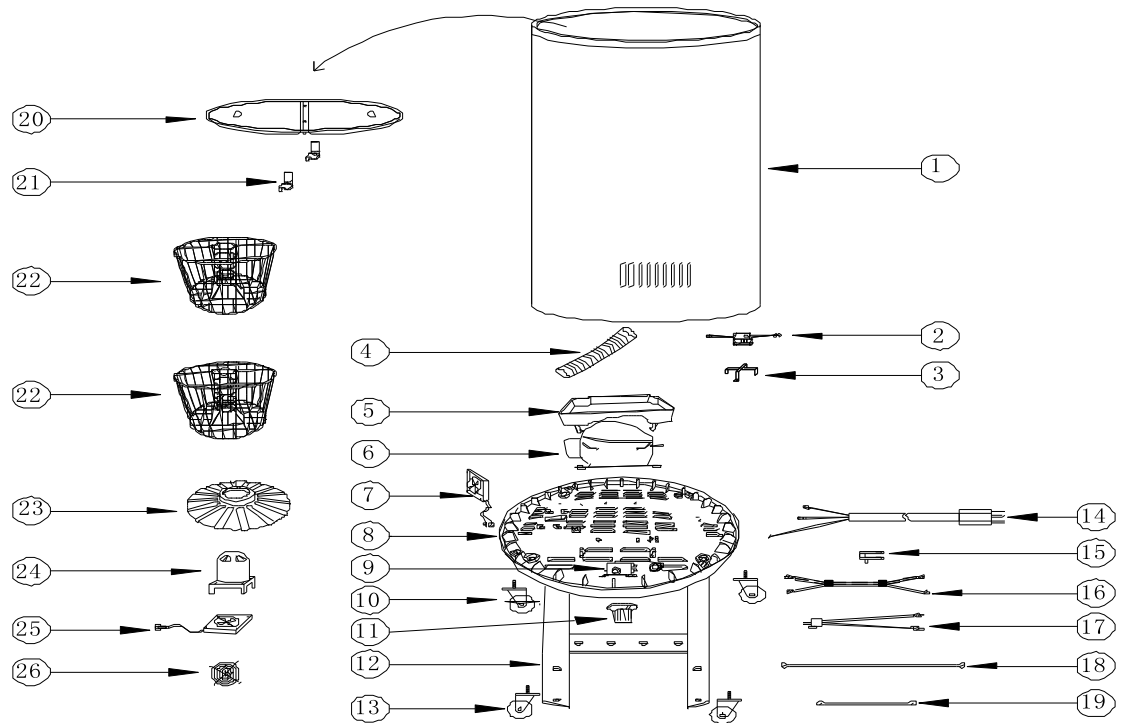


# PARTS & IDENTIFICATION



- |                         |                                 |
|-------------------------|---------------------------------|
| 1. Cabinet              | 15. Cord Clip                   |
| 2. Transformer          | 16. Thermostat Wire             |
| 3. Transformer Box      | 17. Transformer Connecting Line |
| 4. Outlet Pipe          | 18. Grounded Line               |
| 5. Drip Pan             | 19. Fan Grounded Line           |
| 6. Compressor Completed | 20. Lid Assembly                |
| 7. Condenser Fan        | 21. Black Clamp (2)             |
| 8. Bottom Plate         | 22. Basket (2)                  |
| 9. Thermostat           | 23. Evaporator Baffle           |
| 10. Caster with Block   | 24. Grey Evaporator Fan Cover   |
| 11. Thermostat Knob     | 25. Evaporator Fan              |
| 12. Compressor Bracket  | 26. Evaporator Fan Grill        |
| 13. Caster (3)          |                                 |
|                         | 14. Power Cord                  |

