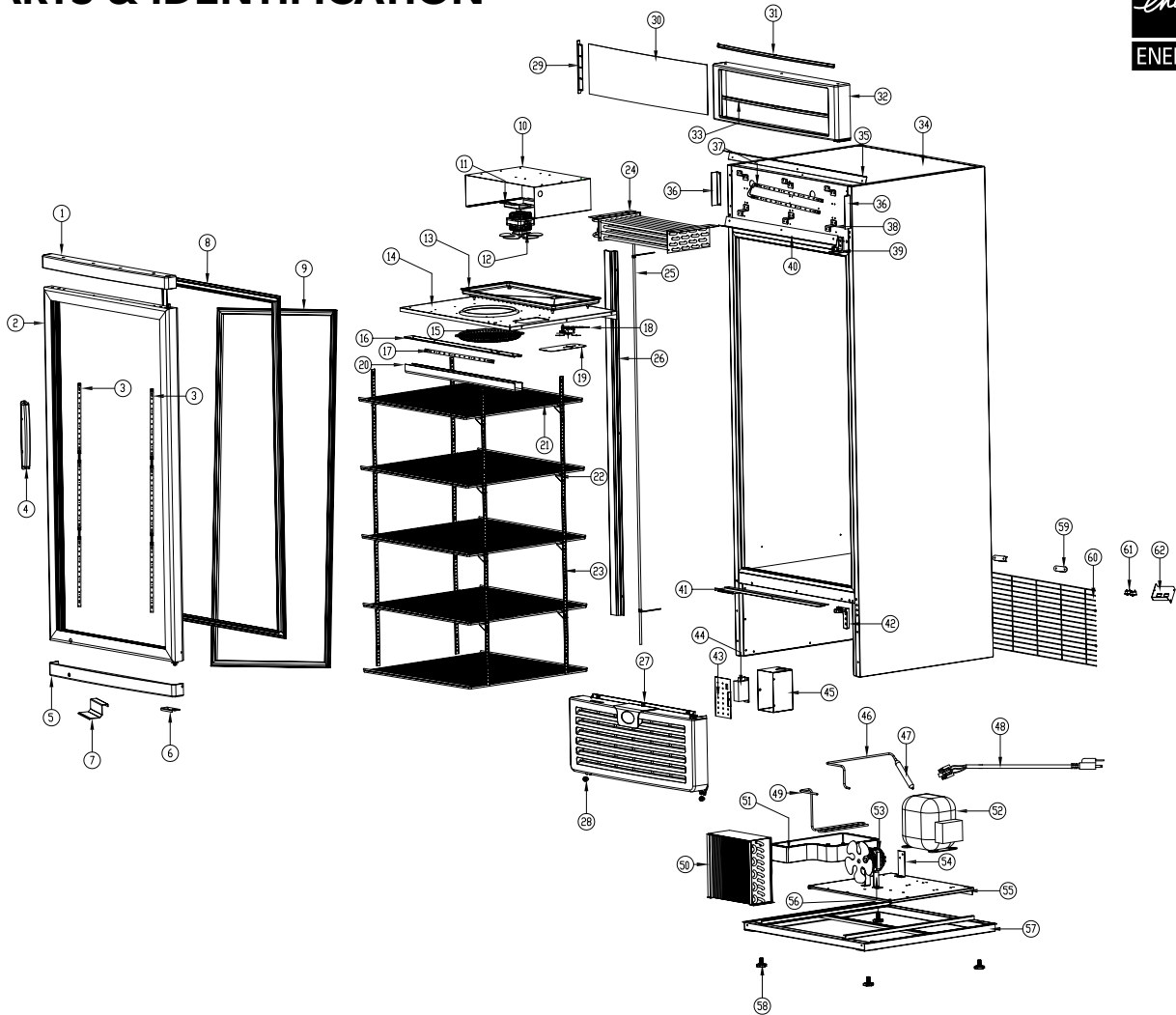


PARTS & IDENTIFICATION



- | | | |
|------------------------------------|--|------------------------------------|
| 1. Top Plastic Strip of Glass Door | 22. Shelf Clips (24) | 43. Electric Box Cover |
| 2. Glass Door | 23. Pilasters (4) | 44. Transformer for LED Light |
| 3. LED Light in the Glass Door | 24. Evaporator | 45. Electric Box |
| 4. Door Handle | 25. Return Pipe | 46. Connecting Tube for Dry Filter |
| 5. Low Plastic Strip of Glass Door | 26. Return Pipe Cover | 47. Filter Dryer |
| 6. Door Limiter | 27. Grill | 48. Power Cord |
| 7. Door Support | 28. Plastic Fixation Column (2) | 49. Connecting Tube for Condenser |
| 8. LED Light Cover | 29. Inserts | 50. Condenser |
| 9. Door Gasket | 30. Light Canopy Cover | 51. Water Container |
| 10. Side Panel | 31. Top Strip Inside Light Canopy | 52. Compressor |
| 11. Fan Support | 32. Outline Border of Light Canopy | 53. Condenser Fan |
| 12. Evaporating Fan | 33. Low Strip Inside Light Canopy | 54. Filter Dryer Bracket |
| 13. Water Container | 34. Foam Cabinet | 55. Upper Baseboard |
| 14. Control Panel | 35. Top Frame of Light Canopy | 56. Fan Support |
| 15. Fan Guard | 36. Left and Right Support of Light Canopy (2) | 57. Lower Baseboard |
| 16. Lamp Stand | 37. LED Light Inside Light Canopy | 58. Leveling Legs (4) |
| 17. LED Light | 38. Bracket for LED Light (6) | 59. Bumper Block (2) |
| 18. Thermostat | 39. Top Hinge | 60. Compressor Guard |
| 19. Thermostat Panel | 40. Low Frame of Light Canopy | 61. Light Switch (2) |
| 20. LED Light Cover | 41. Fixing Bracket for Grill | 62. Bracket for Light Switch |
| 21. Shelf (6) | 42. Lower Hinge | |

